



**CTS (NINGBO) TESTING SERVICE TECHNOLOGY  
INTERNATIONAL**

**OPERATE ACCORDING TO ISO/IEC 17025**

# **EMC TEST REPORT**

**TEST REPORT NUMBER : CGZ3161209-02407-E**



**CTS (Ningbo) Testing Service Technology Co., Ltd.**

Fl.1 & 8 West, Bldg. B, No. 66, Qingyi Rd., Hi-Tech Zone, Ningbo, Zhejiang, China



<b>TEST REPORT</b> <b>EN 55015:2013+A1:2015</b> Limits and methods of measurements of radio disturbance characteristics of electrical lighting and similar equipment. <b>EN 61547:2009</b> Equipment for general lighting purposes-EMC immunity requirements.	
<b>Report Reference No.</b> .....	CGZ3161209-02407-E
<b>Date of issue</b> .....	27 December 2017
<b>Testing Laboratory Name</b> .....	<b>CTS (Ningbo) Testing Service Technology Co., Ltd.</b>
<b>Address</b> .....	GZ test site: A101, No.65, Zhuji Road, Tianhe District, Guangzhou, Guangdong, China..
<b>Testing location/ procedure</b> .....	Full application of Harmonised standards <input checked="" type="checkbox"/> Partial application of Harmonised standards <input type="checkbox"/> Other standard testing method <input type="checkbox"/>
<b>Applicant's name</b> .....	Shenzhen Aglare Lighting Co., Ltd.
<b>Address</b> .....	Factory A, Supply and Marketing Cooperative Industrial Park, Guanlan Avenue, Guanlan Town, Bao'an District, Shenzhen City, Guangdong, China
<b>Test specification:</b>	
<b>Standard</b> .....	<b>EN 55015:2013+A1:2015, EN 61547:2009</b> <b>EN 61000-3-2:2014, EN 61000-3-3:2013</b>
<b>Test Report Form No.</b> .....	CTSEMC-1.0
<b>TRF Originator</b> .....	CTS (Ningbo) Testing Service Technology Co., Ltd.
<b>Master TRF</b> .....	Dated 2009-01
<b>CTS (Ningbo) Testing Service Technology Co., Ltd. All rights reserved.</b> This publication may be reproduced in whole or in part for non-commercial purposes as long as the CTS (Ningbo) Testing Service Technology Co., Ltd. is acknowledged as copyright owner and source of the material. CTS (Ningbo) Testing Service Technology Co., Ltd. takes no responsibility for and will not assume liability for damages resulting from the reader's interpretation of the reproduced material due to its placement and context.	
<b>Test item description</b> .....	LED DRIVER
<b>Trade Mark</b> .....	Aglare
<b>Manufacturer</b> .....	/
<b>Model/Type reference</b> .....	YJ-FC70W1150
<b>Ratings</b> .....	AC 220V, 50Hz, 70W(A)
<b>Result</b> .....	<b>PASSED</b>

Compiled by:

Kate zhang / File administrators

Supervised by:

Duke yang / Technique principal

Approved by:

Vincent yao / Manager

Copyright of this report is owned by Centre of Testing Service and may not be reproduced other than in full except with the written approval of the issuing Company.

**CTS (Ningbo) Testing Service Technology Co., Ltd.**  
 Fl.1 & 8 West, Bldg. B, No. 66, Qingyi Rd., Hi-Tech Zone, Ningbo, Zhejiang, China  
 Tel: +86-20-85543113 (32 lines) Fax: +86-20-38780406  
 Complaint line: +86-20-85533471 E-mail: cts@cts-lab.com.cn

See Reverse For Terms And Conditions of Service



## EMC -- TEST REPORT

<b>Test Report No. :</b> CGZ3161209-02407-E	<u>27 December 2017</u> Date of issue
---	--

Type / Model.....	YJ-FC70W1150
EUT.....	LED DRIVER
<b>Applicant</b> .....	Shenzhen Aglare Lighting Co., Ltd.
Address.....	Factory A, Supply and Marketing Cooperative Industrial Park, Guanlan Avenue, Guanlan Town, Bao'an District, Shenzhen City, Guangdong, China
Telephone.....	+86-755-88868631
Fax.....	+86-755-27659398
Contact.....	Cheng Jun
<b>Manufacturer</b> .....	/
Address.....	/
Telephone.....	/
Fax.....	/
Contact.....	/
<b>Factory</b> .....	/
Address.....	/
Telephone.....	/
Fax.....	/
Contact.....	/

The test report merely corresponds to the test sample.

It is not permitted to copy extracts of these test result without the written permission of the test laboratory.

## TABLE OF CONTENTS

Description	Page
<b>1 TEST STANDARDS</b> .....	<b>5</b>
<b>2 SUMMARY</b> .....	<b>5</b>
2.1 GENERAL REMARKS .....	5
2.2 FINAL ASSESSMENT.....	5
<b>3 EQUIPMENT UNDER TEST</b> .....	<b>6</b>
3.1 Power supply system utilised.....	6
3.2 Short description of the Equipment under Test (EUT).....	6
3.3 EUT operation mode .....	6
3.4 EUT configuration .....	7
3.5 Performance level .....	7
3.6 Definition related to the performance level .....	7
<b>4 TEST ENVIRONMENT</b> .....	<b>8</b>
4.1 Address of the test laboratory .....	8
4.2 Environmental conditions .....	8
4.3 Definitions of symbols used in this test report.....	8
4.4 Statement of the measurement uncertainty .....	8
4.5 Measurement Uncertainty .....	8
4.6 Test Description .....	9
<b>5 TEST CONDITIONS AND RESULTS</b> .....	<b>10</b>
5.1 Conducted disturbance .....	10
5.2 Radiated disturbance (magnetic field) .....	14
5.3 Radiated disturbance (Electric field).....	19
5.4 Harmonic current .....	23
5.5 Voltage fluctuations and flicker.....	27
5.6 Electrostatic discharge.....	30
5.7 Radiated, radio-frequency, electromagnetic field .....	32
5.8 Electrical fast transients / Burst .....	34
5.9 Surge .....	36
5.10 Conducted disturbances induced by radio-frequency fields .....	38
5.11 Power frequency magnetic field.....	40
5.12 Voltage dips .....	42
5.13 Voltage short interruptions .....	44
<b>6 USED TEST EQUIPMENT</b> .....	<b>46</b>
<b>7 TEST PHOTOGRAPHS</b> .....	<b>49</b>
7.1. Photo of power line conducted emission measurement (C.E.).....	49
7.2. Photo of radiated emission measurement (R.E. Magnetic field).....	49
7.3. Photo of radiated emission measurement (R.E. Electric field) .....	49
7.4. Photo of harmonic current and flicker emission measurement (H.&F.).....	50
7.5. Photo of electrostatic discharge Immunity measurement (E.S.D.).....	50
7.6. Photo of RF field strength Immunity measurement (R.S.).....	50
7.7. Photo of EFT/surge/Dips immunity measurement (E.F.T./Surge./Dips.) .....	51
7.8. Photo of conducted disturbance Immunity measurement (C.S.).....	51

Copyright of this report is owned by Centre of Testing Service and may not be reproduced other than in full except with the written approval of the issuing Company.

**CTS (Ningbo) Testing Service Technology Co., Ltd.**  
 Fl.1 & 8 West, Bldg. B, No. 66, Qingyi Rd., Hi-Tech Zone, Ningbo, Zhejiang, China  
 Tel: +86-20-85543113 (32 lines) Fax: +86-20-38780406  
 Complaint line: +86-20-85533471 E-mail: cts@cts-lab.com.cn

See Reverse For Terms And Conditions of Service



---

7.9. Photo of PFM field immunity measurement (P.F.M.F.).....	51
8 EXTERNAL AND INTERNAL PHOTOS OF THE EUT .....	52
9 Manufacturer/ Approval holder Declaration .....	55

Copyright of this report is owned by Centre of Testing Service and may not be reproduced other than in full except with the written approval of the issuing Company.

**CTS (Ningbo) Testing Service Technology Co., Ltd.**  
Fl.1 & 8 West, Bldg. B, No. 66, Qingyi Rd., Hi-Tech Zone, Ningbo, Zhejiang, China  
Tel: +86-20-85543113 (32 lines) Fax: +86-20-38780406  
Complaint line: +86-20-85533471 E-mail: cts@cts-lab.com.cn

See Reverse For Terms And Conditions of Service

## 1 TEST STANDARDS

The tests were performed according to following standards:

EN 55015:2013+A1:2015 Limits and methods of measurements of radio disturbance characteristics of electrical lighting and similar equipment.

EN 61547:2009 Equipment for general lighting purposes-EMC immunity requirements.

EN 61000-3-2:2014 Electromagnetic compatibility (EMC) -- Part 3-2: Limits - Limits for harmonic current emissions (equipment input current up to and including 16 A per phase).

EN 61000-3-3:2013 Electromagnetic compatibility (EMC) -- Part 3-3: Limits - Limitation of voltage changes, voltage fluctuations and flicker in public low-voltage supply systems, for equipment with rated current  $\leq 16$  A per phase and not subject to conditional connection.

## 2 SUMMARY

### 2.1 GENERAL REMARKS

Date of receipt of test sample	19 December 2016
Testing commenced on	19 December 2016~ 26 December 2017
Testing concluded on	27 December 2017

### 2.2 FINAL ASSESSMENT

The EMC requirements pertaining to the technical standards and tested operation modes are

- fulfilled.

- **not** fulfilled.

The equipment under test

- fulfils the EMC requirements cited on page 1.

- **does not** fulfil the EMC requirements cited on page 1.



### 3 EQUIPMENT UNDER TEST

#### 3.1 Power supply system utilised

Power supply voltage:  AC 230V/50Hz  
 Other (Specified blank below)

#### 3.2 Short description of the Equipment under Test (EUT)

Number of tested samples: 1  
Serial number: Prototype

#### 3.3 EUT operation mode

The equipment under test was operated during the measurement under the following conditions:

- Normal

**Operating Mode:** Normal

Emissions tests.....: According to EN 55015,, searching for the highest disturbance.  
Immunity tests .....: According to EN 61547, searching for the highest susceptibility.  
Harmonic current..... : According to EN 61000-3-2, searching for the highest disturbance.  
Voltage fluctuation.....: According to EN 61000-3-3, searching for the highest disturbance.

### 3.4 EUT configuration

(The CDF filled by the applicant can be viewed at the test laboratory.)

The following peripheral devices and interface cables were connected during the measurement:

Not Applicable

### 3.5 Performance level

The test results shall be classified in terms of the loss of function or degradation of performance of the equipment under test, relative to a performance level defined by its manufacturer or the requestor of the test, or agreed between the manufacturer and the purchaser of the product.

### 3.6 Definition related to the performance level

- based on the used product standard
- based on the declaration of the manufacturer, requestor or purchaser

**Criterion A:**

Definition: normal performance within limits specified by the manufacturer, requestor or purchaser:

**Criterion B:**

Definition: temporary loss of function or degradation of performance which ceases after the disturbance ceases, and from which the equipment under test recovers its normal performance, without operator intervention:

**Criterion C:**

Definition: temporary loss of function or degradation of performance, the correction of which requires operator intervention:

**Criterion D:**

Definition: loss of function or degradation of performance, which is not recoverable, owing to damage to hardware or software, or loss of data:



## 4 TEST ENVIRONMENT

### 4.1 Address of the test laboratory

GZ test site: A101, No.65, Zhuji Road, Tianhe District, Guangzhou, Guangdong, China

Tel: +86-20-85543113 (32 lines)

Fax: +86-20-38780406

### 4.2 Environmental conditions

During the measurement the environmental conditions were within the listed ranges:

Temperature:	15~35 ° C
Humidity:	25~75 %
Atmospheric pressure:	86~106 kPa

### 4.3 Definitions of symbols used in this test report

- - The black square indicates that the listed condition, standard or equipment is applicable for this report.
- - The empty square indicates that the listed condition, standard or equipment is **not** applicable for this report.

### 4.4 Statement of the measurement uncertainty

The data and results referenced in this document are true and accurate. The reader is cautioned that there may be errors within the calibration limits of the equipment and facilities. The measurement uncertainty was calculated for all measurements listed in this test report acc. to CISPR 16 - 4 "Specification for radio disturbance and immunity measuring apparatus and methods – Part 4: Uncertainty in EMC Measurements" and is documented in the CTS quality system acc. to DIN EN ISO/IEC 17025. Furthermore, component and process variability of devices similar to that tested may result in additional deviation. The manufacturer has the sole responsibility of continued compliance of the device.

### 4.5 Measurement Uncertainty

Test Item	Frequency Range	Uncertainty	Note
Conduction disturbance	150kHz~30MHz	±1.22dB	(1)
Power disturbance	30MHz~300MHz	±1.38dB	(1)
Radiation emission (3m)	30MHz~300MHz	±3.14dB	(1)
	300MHz~1000MHz	±3.18dB	(1)

(1) This uncertainty represents an expanded uncertainty expressed at approximately the 95% confidence level using a coverage factor of k=2.

## 4.6 Test Description

### 4.6.1 Description of Standards and Results

EMISSION			
Description of Test Item	Standard	Limits	Results
Conducted disturbance	EN 55015:2013+A1:2015	-----	PASS
Radiated Disturbance (Magnetic)	EN 55015:2013+A1:2015	-----	PASS
Radiated Disturbance (Electric)	EN 55015:2013+A1:2015	-----	PASS
Harmonic current emissions	EN 61000-3-2:2014	Class C	PASS
Voltage fluctuations & flicker	EN 61000-3-3:2013	-----	PASS
IMMUNITY (EN 61547:2009)			
Description of Test Item	Basic Standard	Performance Criteria	Results
Electrostatic discharge (ESD)	IEC 61000-4-2: 2008	B	PASS
Radio-frequency, Continuous radiated disturbance	IEC 61000-4-3:2006 +A1:2007+A2:2010	A	PASS
Electrical fast transient (EFT)	IEC 61000-4-4:2012	B	PASS
Surge	IEC 61000-4-5: 2014	B	PASS
Radio-frequency, Continuous conducted disturbance	IEC 61000-4-6: 2013	A	PASS
Power frequency magnetic field	IEC 61000-4-8: 2009	A	PASS
Voltage dips 30%	IEC 61000-4-11: 2004	C	PASS
Interruptions 100%		B	PASS
N/A is an abbreviation for Not Applicable.			

Copyright of this report is owned by Centre of Testing Service and may not be reproduced other than in full except with the written approval of the issuing Company.

**CTS (Ningbo) Testing Service Technology Co., Ltd.**  
 Fl.1 & 8 West, Bldg. B, No. 66, Qingyi Rd., Hi-Tech Zone, Ningbo, Zhejiang, China  
 Tel: +86-20-85543113 (32 lines) Fax: +86-20-38780406  
 Complaint line: +86-20-85533471 E-mail: cts@cts-lab.com.cn

See Reverse For Terms And Conditions of Service

## 5 TEST CONDITIONS AND RESULTS

### 5.1 Conducted disturbance

For test instruments and accessories used see section 6 part 6.1.

#### 5.1.1 Description of the test location

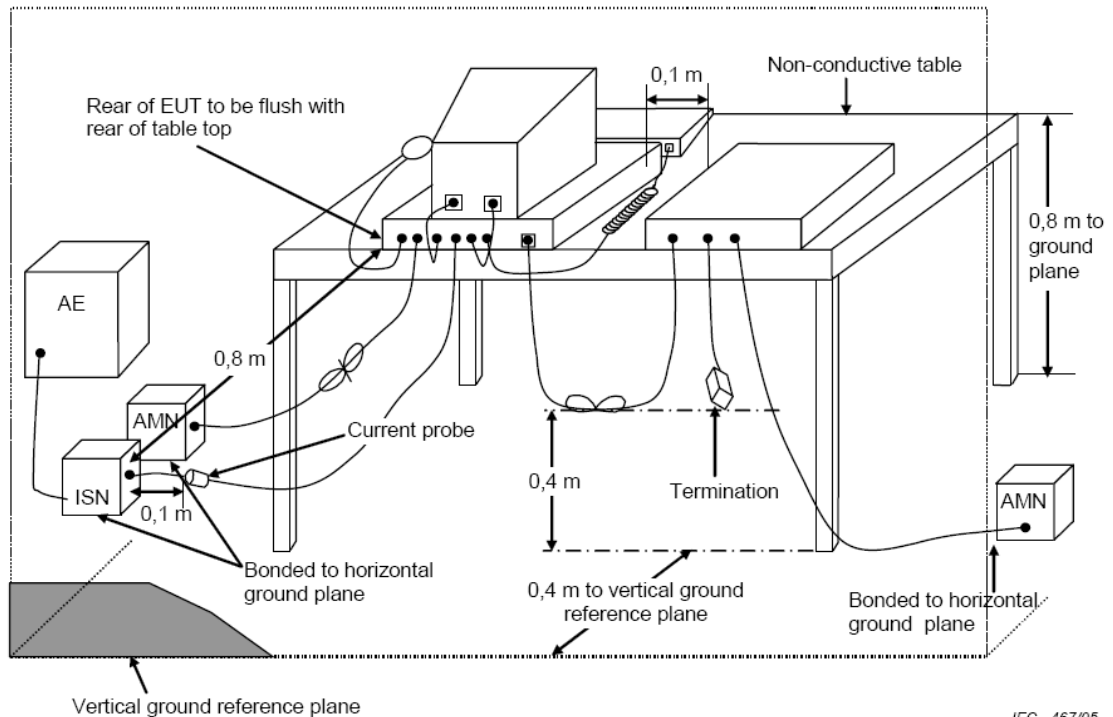
Test location: Shielded room

#### 5.1.2 Description of the test set-up

##### 5.1.2.1 Operating Condition

The EUT is normal during the test, and the results of the maximum emanation are recorded

##### 5.1.2.2 Block Diagram of Test Setup



#### 5.1.3 Limits disturbance

Frequency	At mains terminals (dB $\mu$ V)	
	Quasi-peak Level	Average Level
9kHz ~ 50kHz	110	--
50kHz ~ 150kHz	90 ~ 80*	--
150kHz ~ 0.5MHz	66 ~ 56*	56 ~ 46*
0.5MHz ~ 5.0MHz	56	46
5.0MHz ~ 30MHz	60	50

Note: (1) The tighter limit shall apply at the edge between two frequency bands.

**5.1.4 Test result**

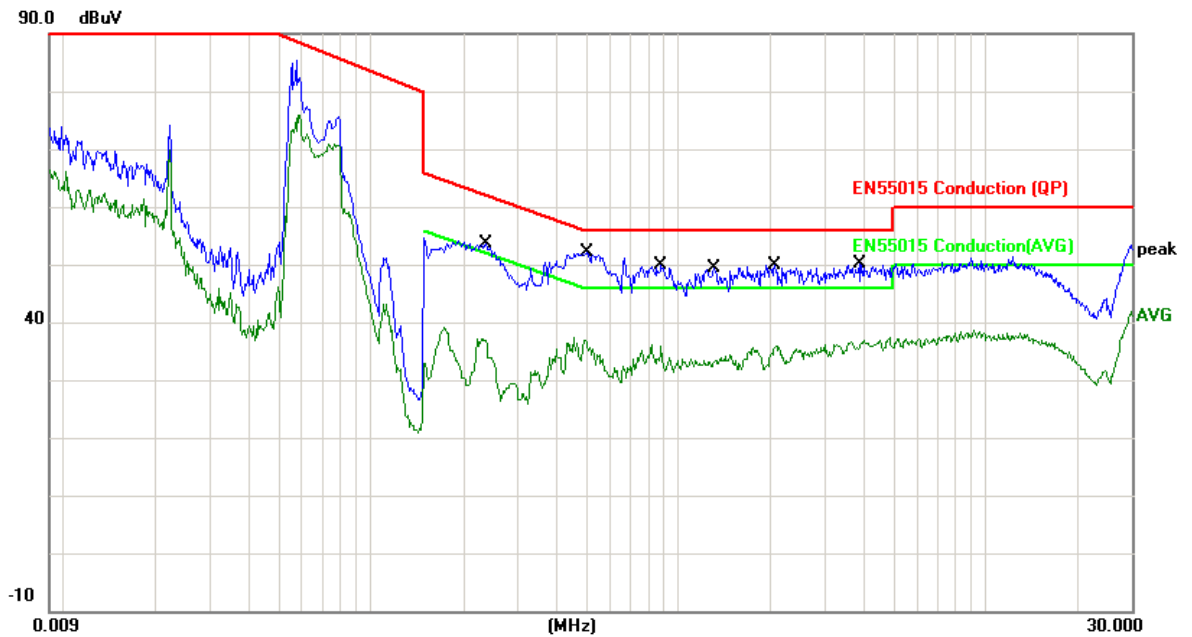
The requirements are	Fulfilled
Band width	200Hz for 9KHz to 0.15MHz, and 9kHz for 0.15MHz to 30MHz
Frequency range	9kHz - 30 MHz
Min. limit margin	>6.30 dB at 9kHz - 30 MHz

**Remarks:** The limits are kept. For detailed results, please see the following page(s).

5.1.5 Test protocol

Test point	L	Result:	■ - passed
Operation mode	Normal		□ - not passed
Remarks:			

EUT	LED DRIVER
Operating Condition	AC 230V/50Hz
Test Condition	Ambient Temperature: 24°C Humidity: 56%
Operator	Clark
MODEL NO.	YJ-FC70W1150



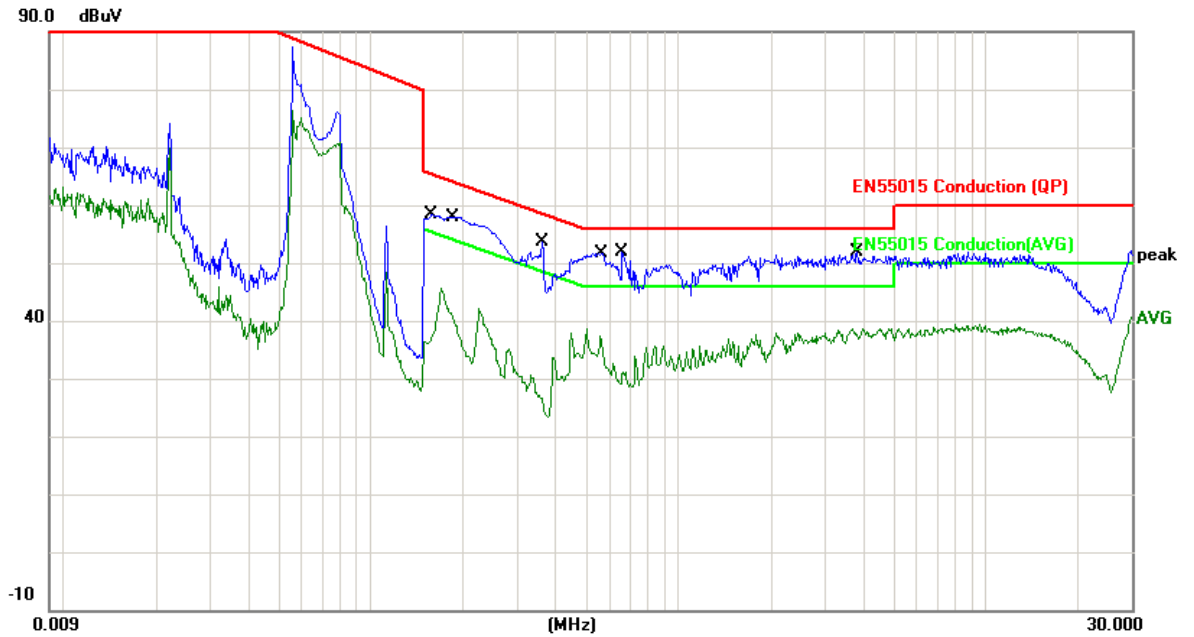
No.	Frequency (MHz)	Factor (dB)	Reading (dBuV)	Level (dBuV)	Limit (dBuV)	Margin (dB)	Detector
1	0.2380	10.21	41.06	51.27	62.16	-10.89	QP
2	0.2380	10.21	25.92	36.13	52.16	-16.03	AVG
3	0.5060	10.20	39.50	49.70	56.00	-6.30	QP
4	0.5060	10.20	26.32	36.52	46.00	-9.48	AVG
5	0.8820	10.28	37.47	47.75	56.00	-8.25	QP
6	0.8820	10.28	24.68	34.96	46.00	-11.04	AVG
7	1.3180	10.34	34.46	44.80	56.00	-11.20	QP
8	1.3180	10.34	22.54	32.88	46.00	-13.12	AVG
9	2.0740	10.42	33.68	44.10	56.00	-11.90	QP
10	2.0740	10.42	24.79	35.21	46.00	-10.79	AVG
11	3.8900	10.62	32.11	42.73	56.00	-13.27	QP
12	3.8900	10.62	24.06	34.68	46.00	-11.32	AVG

Copyright of this report is owned by Centre of Testing Service and may not be reproduced other than in full except with the written approval of the issuing Company.

**CTS (Ningbo) Testing Service Technology Co., Ltd.**  
 Fl.1 & 8 West, Bldg. B, No. 66, Qingyi Rd., Hi-Tech Zone, Ningbo, Zhejiang, China  
 Tel: +86-20-85543113 (32 lines) Fax: +86-20-38780406  
 Complaint line: +86-20-85533471 E-mail: cts@cts-lab.com.cn

See Reverse For Terms And Conditions of Service

Test point:	N	Result:	■ - passed
Operation mode	Normal		□ - not passed
Remarks:			



No.	Frequency (MHz)	Factor (dB)	Reading (dBuV)	Level (dBuV)	Limit (dBuV)	Margin (dB)	Detector
1	0.1590	10.30	45.80	56.10	65.51	-9.41	QP
2	0.1590	10.30	27.25	37.55	55.51	-17.96	AVG
3	0.1860	10.30	45.90	56.20	64.21	-8.01	QP
4	0.1860	10.30	30.43	40.73	54.21	-13.48	AVG
5	0.3620	10.31	39.16	49.47	58.68	-9.21	QP
6	0.3620	10.31	16.18	26.49	48.68	-22.19	AVG
7	0.5660	10.33	38.65	48.98	56.00	-7.02	QP
8	0.5660	10.33	25.63	35.96	46.00	-10.04	AVG
9	0.6620	10.35	39.07	49.42	56.00	-6.58	QP
10	0.6620	10.35	20.94	31.29	46.00	-14.71	AVG
11	3.8420	10.68	35.81	46.49	56.00	-9.51	QP
12	3.8420	10.68	25.93	36.61	46.00	-9.39	AVG

Note: Level=Reading+Factor. Margin= Limit-Level

Copyright of this report is owned by Centre of Testing Service and may not be reproduced other than in full except with the written approval of the issuing Company.

**CTS (Ningbo) Testing Service Technology Co., Ltd.**  
 Fl.1 & 8 West, Bldg. B, No. 66, Qingyi Rd., Hi-Tech Zone, Ningbo, Zhejiang, China  
 Tel: +86-20-85543113 (32 lines) Fax: +86-20-38780406  
 Complaint line: +86-20-85533471 E-mail: cts@cts-lab.com.cn

See Reverse For Terms And Conditions of Service

## 5.2 Radiated disturbance (magnetic field)

For test instruments and accessories used see section 6 part 6.2.

### 5.2.1 Description of the test location

Test location : Shielded room

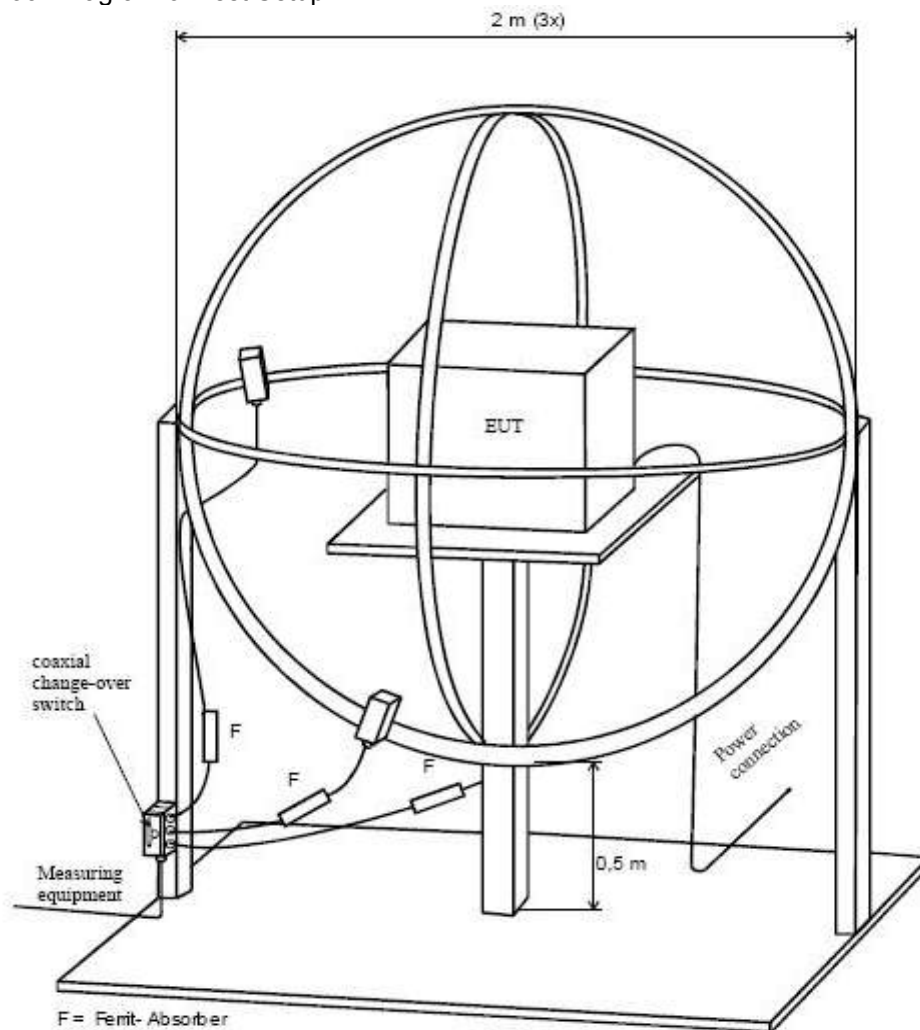
Test disturbance: 2 Meter

### 5.2.2 Description of the test set-up

#### 5.2.2.1 Operating Condition

The EUT is normal during the test, and the results of the maximum emanation are recorded

#### 5.2.2.2 Block Diagram of Test Setup



Copyright of this report is owned by Centre of Testing Service and may not be reproduced other than in full except with the written approval of the issuing Company.

**CTS (Ningbo) Testing Service Technology Co., Ltd.**  
Fl.1 & 8 West, Bldg. B, No. 66, Qingyi Rd., Hi-Tech Zone, Ningbo, Zhejiang, China  
Tel: +86-20-85543113 (32 lines) Fax: +86-20-38780406  
Complaint line: +86-20-85533471 E-mail: cts@cts-lab.com.cn

See Reverse For Terms And Conditions of Service

### 5.2.3 Limits of disturbance

Frequency	Limits for loop diameter (dB $\mu$ A)	
	2m	
9kHz ~ 70kHz	88	
70kHz ~ 150kHz	88 ~ 58*	
150kHz ~ 3.0MHz	58 ~ 22*	
3.0MHz ~ 30MHz	22	

Note: (1) The tighter limit shall apply at the edge between two frequency bands.

(2) Distance refers to the distance in meters between the test instrument antenna and the closest point of any part of the E.U.T.

### 5.2.4 Test result

The requirements are	<b>Fulfilled</b>
Band width	200Hz for 9KHz to 0.15MHz, and 9kHz for 0.15MHz to 30MHz
Frequency range	9kHz - 30 MHz
Min. limit margin MHz	>62.66 dB at 9kHz- 30MHz

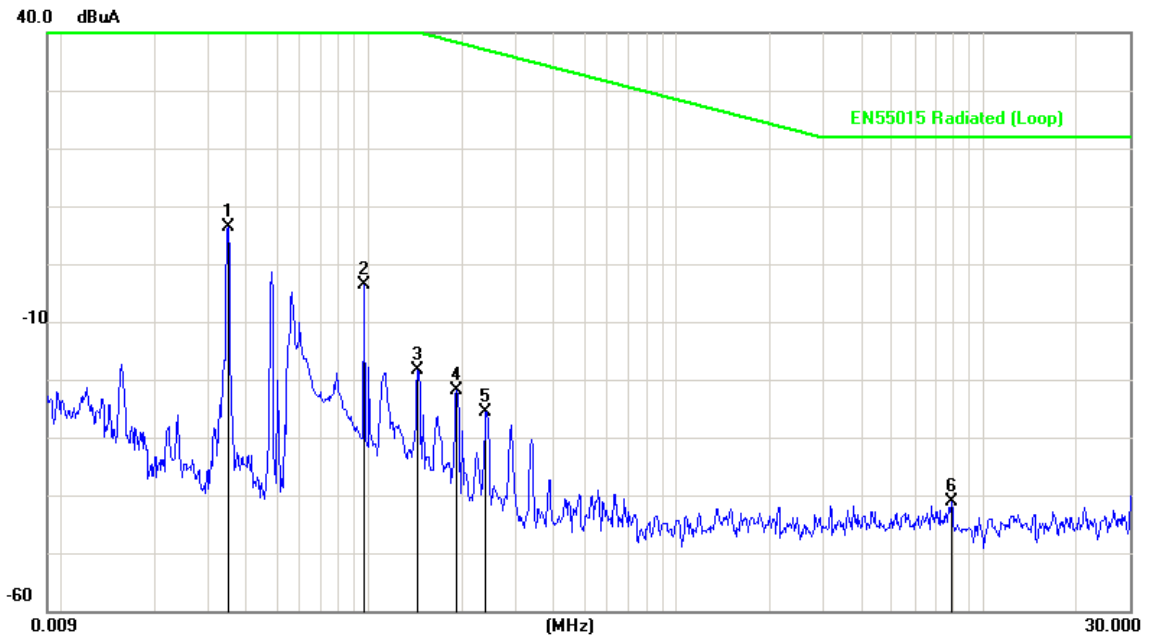
**Remarks:** The limits are kept. For detailed results, please see the following page(s).



5.2.5 Test protocol

Test point:	X	Result:	<input checked="" type="checkbox"/> – passed
Operation mode	Normal		<input type="checkbox"/> – not passed
Remarks:			

EUT	LED DRIVER
Operating Condition	Normal
Test Condition	Ambient Temperature: 24°C Humidity: 56%
Operator	Clark
MODEL NO.	YJ-FC70W1150



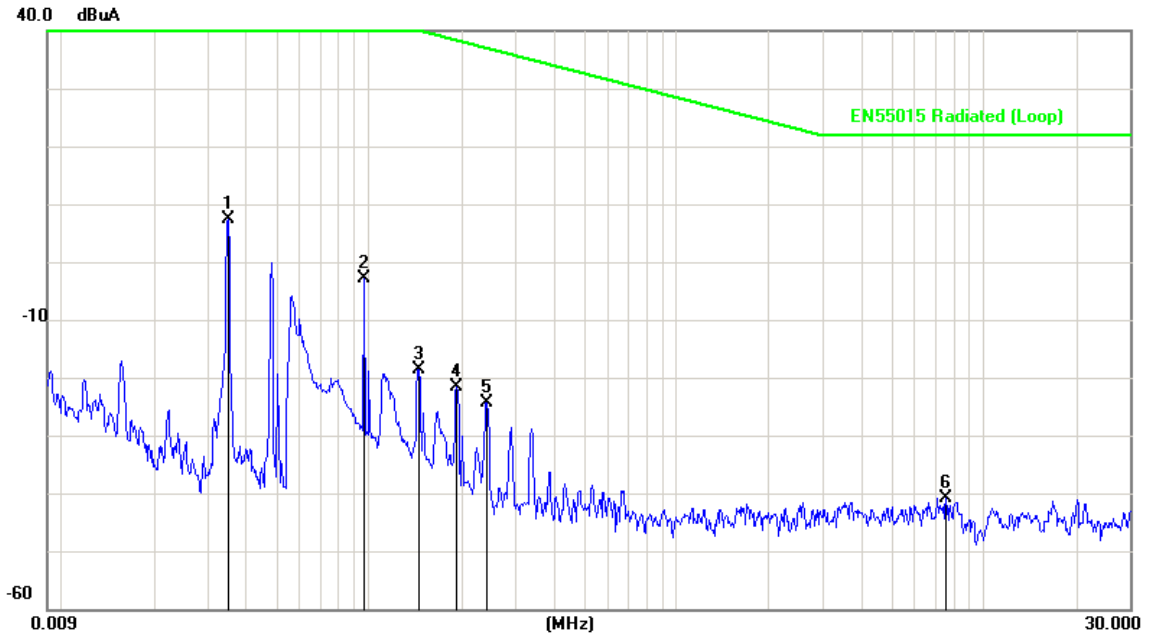
No.	Frequency (MHz)	Factor (dB)	Reading (dBμA)	Level (dBμA)	Limit (dBμA)	Margin (dB)	Detector
1	0.0349	0.00	6.45	6.45	88.00	-81.55	peak
2	0.0961	0.00	-3.61	-3.61	75.52	-79.13	peak
3	0.1442	0.00	-18.48	-18.48	59.53	-78.01	peak
4	0.1931	0.00	-21.89	-21.89	54.96	-76.85	peak
5	0.2404	0.00	-25.66	-25.66	52.33	-77.99	peak
6	7.8677	0.00	-41.19	-41.19	22.00	-63.19	peak

Copyright of this report is owned by Centre of Testing Service and may not be reproduced other than in full except with the written approval of the issuing Company.

**CTS (Ningbo) Testing Service Technology Co., Ltd.**  
 Fl.1 & 8 West, Bldg. B, No. 66, Qingyi Rd., Hi-Tech Zone, Ningbo, Zhejiang, China  
 Tel: +86-20-85543113 (32 lines) Fax: +86-20-38780406  
 Complaint line: +86-20-85533471 E-mail: cts@cts-lab.com.cn

See Reverse For Terms And Conditions of Service

Test point:	Y	Result:	■ – passed
Operation mode:	Normal		□ – not passed
Remarks:			



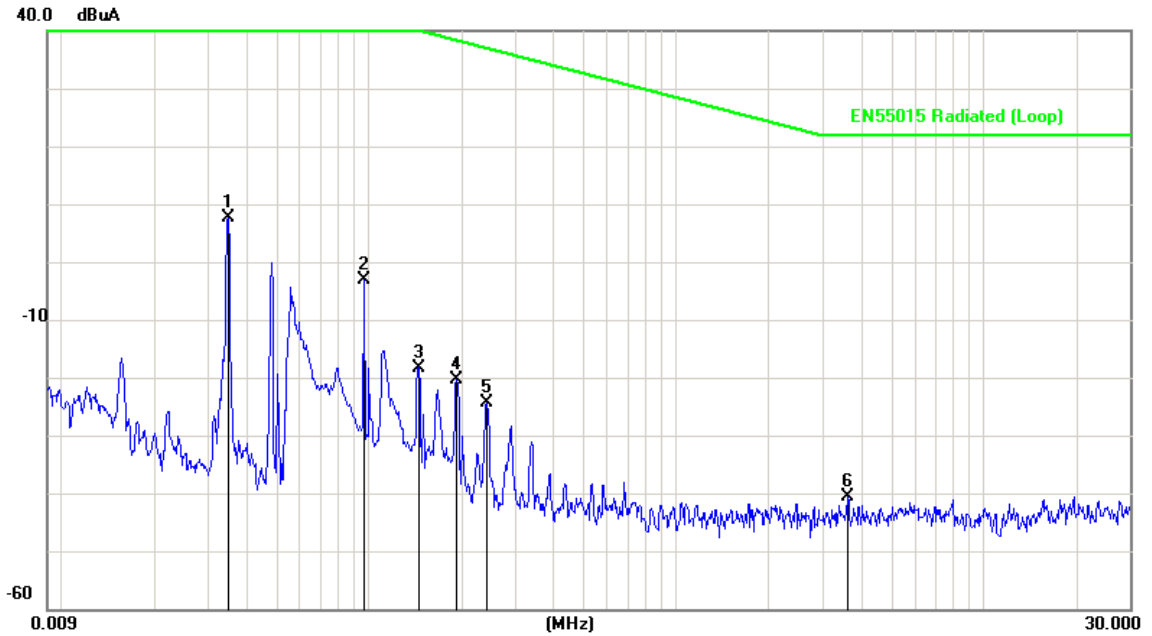
No.	Frequency (MHz)	Factor (dB)	Reading (dB $\mu$ A)	Level (dB $\mu$ A)	Limit (dB $\mu$ A)	Margin (dB)	Detector
1	0.0349	0.91	6.52	7.43	88.00	-80.57	peak
2	0.0961	0.92	-3.71	-2.79	75.52	-78.31	peak
3	0.1454	0.84	-19.35	-18.51	59.20	-77.71	peak
4	0.1931	0.80	-22.31	-21.51	54.96	-76.47	peak
5	0.2424	0.77	-25.16	-24.39	52.23	-76.62	peak
6	7.5550	0.63	-41.55	-40.92	22.00	-62.92	peak

Copyright of this report is owned by Centre of Testing Service and may not be reproduced other than in full except with the written approval of the issuing Company.

**CTS (Ningbo) Testing Service Technology Co., Ltd.**  
 Fl.1 & 8 West, Bldg. B, No. 66, Qingyi Rd., Hi-Tech Zone, Ningbo, Zhejiang, China  
 Tel: +86-20-85543113 (32 lines) Fax: +86-20-38780406  
 Complaint line: +86-20-85533471 E-mail: cts@cts-lab.com.cn

See Reverse For Terms And Conditions of Service

Test point:	Z	Result:	<input checked="" type="checkbox"/> – passed
Operation mode:	Normal		<input type="checkbox"/> – not passed
Remarks:			



No.	Frequency (MHz)	Factor (dB)	Reading (dB $\mu$ A)	Level (dB $\mu$ A)	Limit (dB $\mu$ A)	Margin (dB)	Detector
1	0.0349	1.20	6.38	7.58	88.00	-80.42	peak
2	0.0961	0.92	-4.07	-3.15	75.52	-78.67	peak
3	0.1454	0.79	-19.04	-18.25	59.20	-77.45	peak
4	0.1931	0.75	-21.13	-20.38	54.96	-75.34	peak
5	0.2424	0.72	-25.20	-24.48	52.23	-76.71	peak
6	3.6112	0.63	-41.29	-40.66	22.00	-62.66	peak

Note: Level=Reading+Factor. Margin= Limit-Level  
 Factor=Antenna factor+Cable loss

Copyright of this report is owned by Centre of Testing Service and may not be reproduced other than in full except with the written approval of the issuing Company.

**CTS (Ningbo) Testing Service Technology Co., Ltd.**  
 Fl.1 & 8 West, Bldg. B, No. 66, Qingyi Rd., Hi-Tech Zone, Ningbo, Zhejiang, China  
 Tel: +86-20-85543113 (32 lines) Fax: +86-20-38780406  
 Complaint line: +86-20-85533471 E-mail: cts@cts-lab.com.cn

See Reverse For Terms And Conditions of Service

### 5.3 Radiated disturbance (Electric field)

For test instruments and accessories used see section 6 part 6.3.

#### 5.3.1 Description of the test location

Test location : Semi-Anechoic chamber

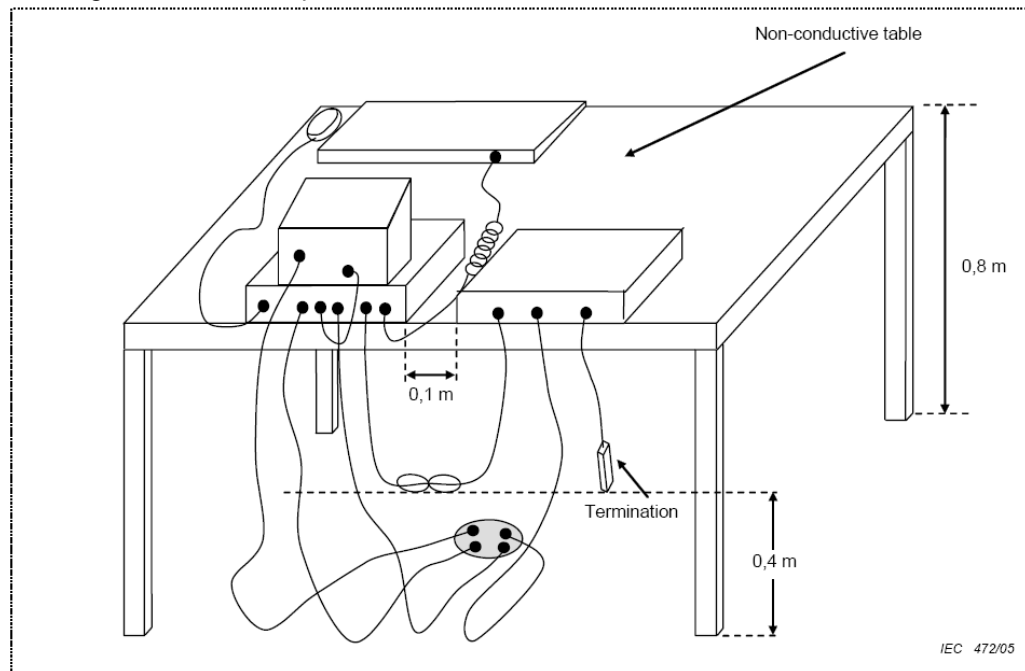
Test disturbance: 3 Meter

#### 5.3.2 Description of the test set-up

##### 5.3.2.1 Operating Condition

The EUT is normal during the test, and the results of the maximum emanation are recorded

##### 5.3.2.2 Block Diagram of Test Setup



#### 5.3.3 Limits of disturbance

Frequency (MHz)	Distance (Meters)	Field Strengths Limits (dB $\mu$ V/m)
30 ~ 230	3	40
230 ~ 300	3	47

Note: (1) The tighter limit shall apply at the edge between two frequency bands.

(2) Distance refers to the distance in meters between the test instrument antenna and the closest point of any part of the E.U.T.

**5.3.4 Test result**

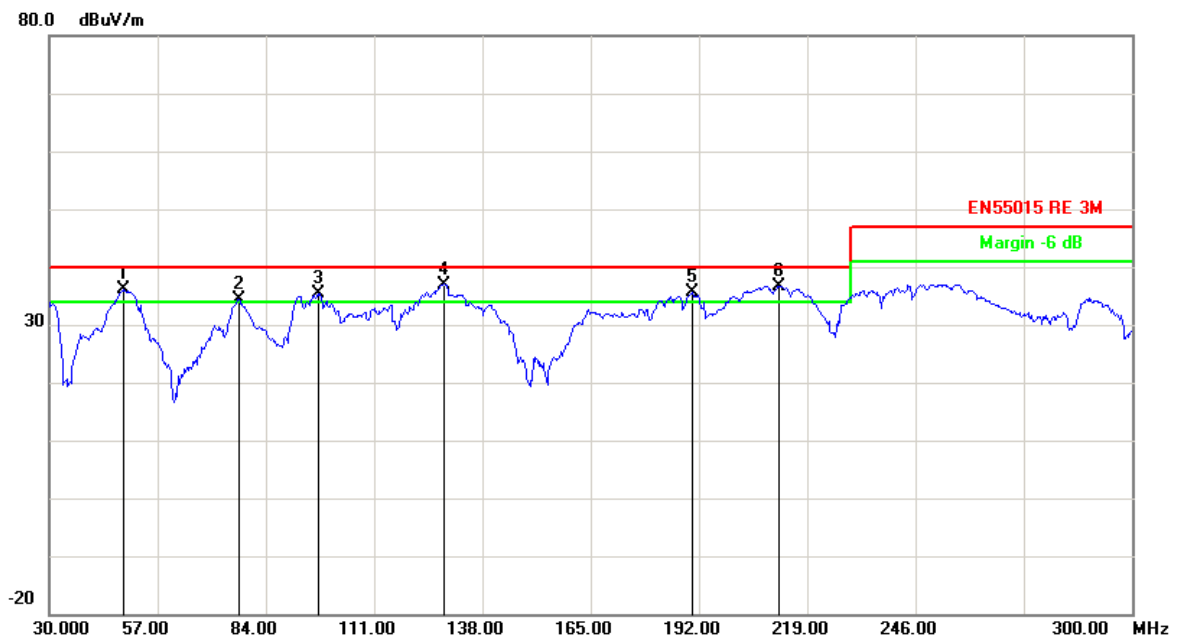
The requirements are	<b>Fulfilled</b>
Band width	120kHz
Frequency range	30 MHz - 300 MHz
Min. limit margin	>3.14 dB at 30 - 300 MHz

**Remarks:** The limits are kept. For detailed results, please see the following page(s).

5.3.5 Test protocol

Test point: Operation mode Remarks:	Horizontal Normal	Result:	<input checked="" type="checkbox"/> – passed <input type="checkbox"/> – not passed
---	----------------------	---------	---

EUT	LED DRIVER
Operating Condition	Normal
Test Condition	Ambient Temperature: 24°C Humidity: 56%
Operator	Clark
MODEL NO.	YJ-FC70W1150



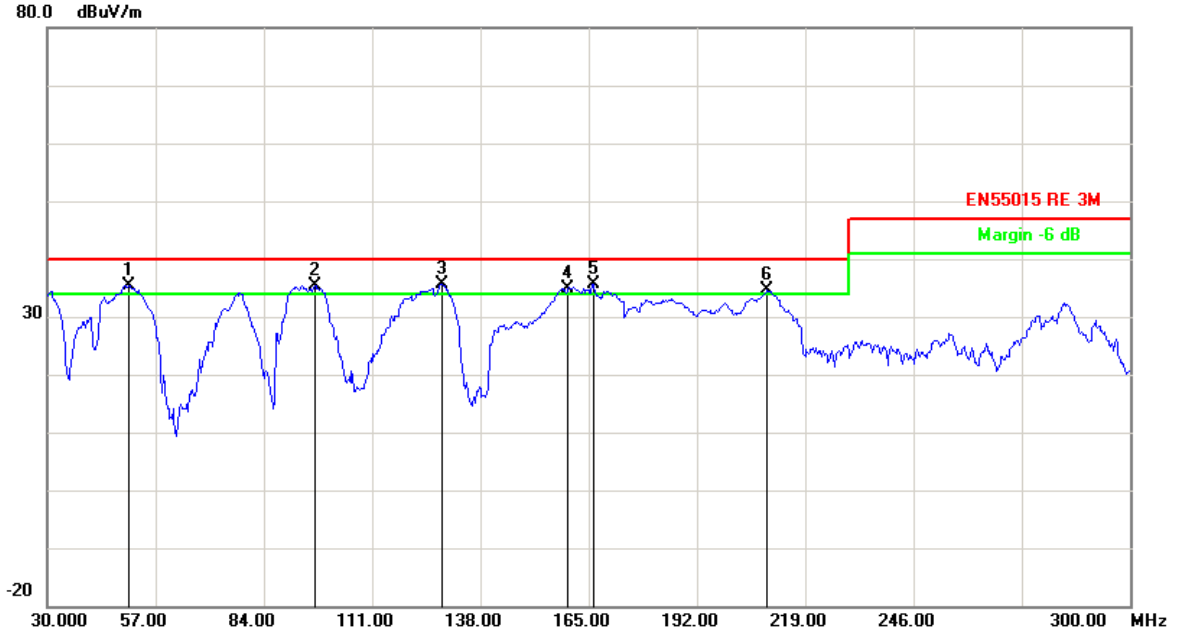
No.	Frequency (MHz)	Factor (dB/m)	Reading (dB $\mu$ V)	Level (dB $\mu$ V/m)	Limit (dB $\mu$ V/m)	Margin (dB)	Detector
1	48.6300	-19.22	55.31	36.09	40.00	-3.91	QP
2	77.2500	-20.50	54.76	34.26	40.00	-5.74	QP
3	96.9600	-19.53	54.87	35.34	40.00	-4.66	QP
4	128.2800	-19.61	56.47	36.86	40.00	-3.14	QP
5	190.3800	-16.64	52.22	35.58	40.00	-4.42	QP
6	211.9800	-15.92	52.62	36.70	40.00	-3.30	QP

Copyright of this report is owned by Centre of Testing Service and may not be reproduced other than in full except with the written approval of the issuing Company.

**CTS (Ningbo) Testing Service Technology Co., Ltd.**  
 Fl.1 & 8 West, Bldg. B, No. 66, Qingyi Rd., Hi-Tech Zone, Ningbo, Zhejiang, China  
 Tel: +86-20-85543113 (32 lines) Fax: +86-20-38780406  
 Complaint line: +86-20-85533471 E-mail: cts@cts-lab.com.cn

See Reverse For Terms And Conditions of Service

Test point: Operation mode Remarks:	Vertical Normal	Result:	<input checked="" type="checkbox"/> – passed <input type="checkbox"/> – not passed
---	--------------------	---------	---



No.	Frequency (MHz)	Factor (dB/m)	Reading (dBμV)	Level (dBμV/m)	Limit (dBμV/m)	Margin (dB)	Detector
1	50.2500	-19.86	55.27	35.41	40.00	-4.59	QP
2	96.6900	-19.54	54.86	35.32	40.00	-4.68	QP
3	128.2800	-19.61	55.36	35.75	40.00	-4.25	QP
4	159.8700	-18.16	53.03	34.87	40.00	-5.13	QP
5	166.0800	-17.77	53.44	35.67	40.00	-4.33	QP
6	209.5500	-16.00	50.59	34.59	40.00	-5.41	QP

Note: Level=Reading+Factor. Margin= Limit-Level

Copyright of this report is owned by Centre of Testing Service and may not be reproduced other than in full except with the written approval of the issuing Company.

**CTS (Ningbo) Testing Service Technology Co., Ltd.**  
 Fl.1 & 8 West, Bldg. B, No. 66, Qingyi Rd., Hi-Tech Zone, Ningbo, Zhejiang, China  
 Tel: +86-20-85543113 (32 lines) Fax: +86-20-38780406  
 Complaint line: +86-20-85533471 E-mail: cts@cts-lab.com.cn

See Reverse For Terms And Conditions of Service

## 5.4 Harmonic current

For test instruments and accessories used see section 6 part 6.4.

### 5.4.1 Description of the test location

Test location : Test location no. 1

### 5.4.2 Limits of harmonic current

Test configuration and procedure see clause 7.3 of standard EN 61000-3-2:2014.

There is no need for Harmonics test to be performed on this product(not discharge lighting equipment, and rated power is less than 75W) in accordance with EN 61000-3-2.

For further detail, please refer to Clause 7 and 7.3b) of EN 61000-3-2 which state:

" For the following categories of equipment, limits are not specified in this edition of the standard:

-equipment with a rated power of 75W or less, other than lighting equipment "

" Limits for Class C equipment

a) Active input power > 25W

For lighting equipment having an active input power greater than 25W, the harmonic currents shall not exceed the relative limits given in Table 2.

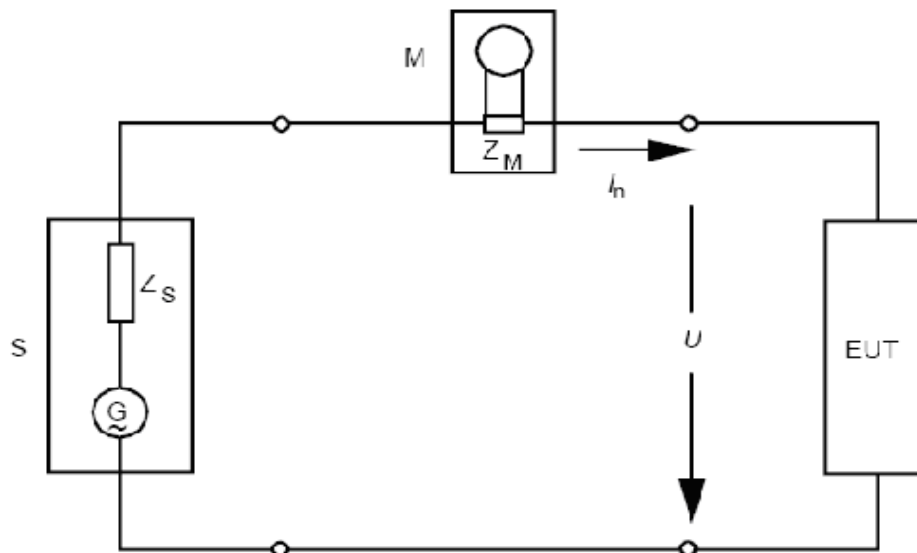
b) Discharge lighting equipment having an active power smaller or equal to 25W shall comply with one of the following two sets of requirements "

### 5.4.3 Description of the test set-up

#### 5.4.3.1 Operating Condition

The EUT is normal during the test, and the results of the maximum emanation are recorded

#### 5.4.3.2 Block Diagram of Test Setup



Copyright of this report is owned by Centre of Testing Service and may not be reproduced other than in full except with the written approval of the issuing Company.

**CTS (Ningbo) Testing Service Technology Co., Ltd.**  
 Fl.1 & 8 West, Bldg. B, No. 66, Qingyi Rd., Hi-Tech Zone, Ningbo, Zhejiang, China  
 Tel: +86-20-85543113 (32 lines) Fax: +86-20-38780406  
 Complaint line: +86-20-85533471 E-mail: cts@cts-lab.com.cn

See Reverse For Terms And Conditions of Service



#### 5.4.4 Test result

The requirements are **Fulfilled**

**Remarks:** The limits are kept. For detailed results, please see the following page(s).

#### 5.4.5 Test protocol

Operation mode	Normal	Result:	<input checked="" type="checkbox"/> - passed
Remarks:			<input type="checkbox"/> - not passed

Standard used:	EN 61000-3-2 Quasi-Stationary – Equipment class C
Observation time:	5 min
Windows width:	10 periods – (EN/IEC 61000-4-7 Edition 2002)
Mains supply voltage:	AC 230V/50Hz
Ambient Temperature:	24°C
Humidity:	56%
Barometric Pressure:	86~106kPa
E. U. T.:	LED DRIVER
M/N:	YJ-FC70W1150
Date of test:	06 December 2017
Tester:	<b>Clark</b>

<b>Test result</b>	
E. U. T.:	PASS
Power Source:	PASS

#### **Check harmonics 2..40 [exception odd 21..39]:**

Harmonic(s) > 150%:	
Order (n):	None
Harmonic(s) with average > 100%:	
Order (n):	None

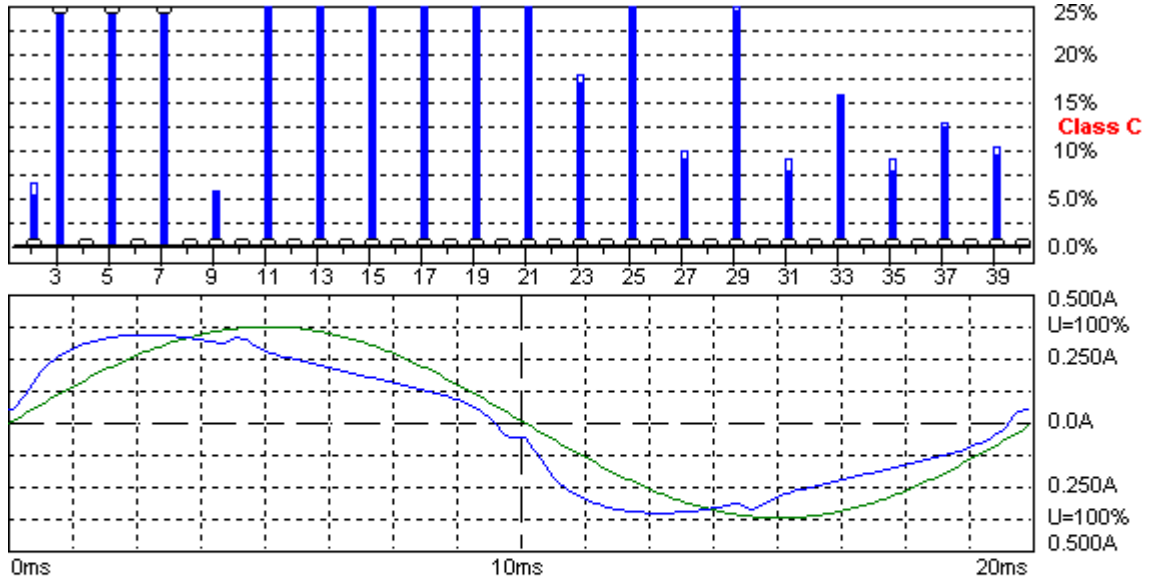
#### **Check odd harmonics 21..39:**

<b>All Partial Odd Harmonics below partial limits.</b>
<b>Harmonic(s) &gt; 150%:</b> Order (n): None
<b>Harmonic(s) with average &gt; 150%:</b> Order (n): None

Copyright of this report is owned by Centre of Testing Service and may not be reproduced other than in full except with the written approval of the issuing Company.

**CTS (Ningbo) Testing Service Technology Co., Ltd.**  
 Fl.1 & 8 West, Bldg. B, No. 66, Qingyi Rd., Hi-Tech Zone, Ningbo, Zhejiang, China  
 Tel: +86-20-85543113 (32 lines) Fax: +86-20-38780406  
 Complaint line: +86-20-85533471 E-mail: cts@cts-lab.com.cn

See Reverse For Terms And Conditions of Service



**Harmonic Emission - IEC 61000-3-2 , EN 61000-3-2 , (EN60555-2)**

2017-12-6 15:07:45

Urms = 231.9 V    P = 53.32 W    THC = 0.044 A    Range: 0.5 A  
 Irms = 0.247 A    pf = 0.933    H1max = 0.243 A    V-nom: 231 V  
 TestTime: 10 min (10)

**Test completed, Result: PASSED**

HAR-1000 EMC-Par

Order	Freq. [Hz]	Iavg [A]	Irms [A]	Imax [A]	Limit [A]	Status
1	50	0.2403	0.2426	0.2432		
2	100	0.0000	0.0002	0.0003	0.0049	
3	150	0.0409	0.0408	0.0409	0.0686	
4	200	0.0000	0.0001	0.0002		
5	250	0.0137	0.0138	0.0138	0.0243	
6	300	0.0000	0.0001	0.0002		
7	350	0.0053	0.0053	0.0054	0.0170	
8	400	0.0000	0.0001	0.0001		
9	450	0.0000	0.0006	0.0007	0.0122	
10	500	0.0000	0.0001	0.0001		
11	550	0.0000	0.0046	0.0046	0.0073	
12	600	0.0000	0.0001	0.0001		
13	650	0.0000	0.0027	0.0027	0.0073	
14	700	0.0000	0.0001	0.0001		
15	750	0.0000	0.0037	0.0038	0.0073	
16	800	0.0000	0.0001	0.0001		
17	850	0.0000	0.0036	0.0037	0.0073	
18	900	0.0000	0.0001	0.0001		
19	950	0.0000	0.0023	0.0024	0.0073	
20	1000	0.0000	0.0001	0.0001		
21	1050	0.0000	0.0034	0.0034	0.0073	
22	1100	0.0000	0.0001	0.0001		

Copyright of this report is owned by Centre of Testing Service and may not be reproduced other than in full except with the written approval of the issuing Company.

**CTS (Ningbo) Testing Service Technology Co., Ltd.**  
 Fl.1 & 8 West, Bldg. B, No. 66, Qingyi Rd., Hi-Tech Zone, Ningbo, Zhejiang, China  
 Tel: +86-20-85543113 (32 lines)    Fax: +86-20-38780406  
 Complaint line: +86-20-85533471    E-mail: cts@cts-lab.com.cn

See Reverse For Terms And Conditions of Service

23	1150	0.0000	0.0012	0.0013	0.0073	
24	1200	0.0000	0.0001	0.0001		
25	1250	0.0000	0.0027	0.0027	0.0073	
26	1300	0.0000	0.0001	0.0001		
27	1350	0.0000	0.0006	0.0007	0.0073	
28	1400	0.0000	0.0001	0.0001		
29	1450	0.0000	0.0018	0.0018	0.0073	
30	1500	0.0000	0.0001	0.0001		
31	1550	0.0000	0.0005	0.0006	0.0073	
32	1600	0.0000	0.0001	0.0001		
33	1650	0.0000	0.0011	0.0011	0.0073	
34	1700	0.0000	0.0001	0.0001		
35	1750	0.0000	0.0005	0.0006	0.0073	
36	1800	0.0000	0.0001	0.0001		
37	1850	0.0000	0.0009	0.0009	0.0073	
38	1900	0.0000	0.0001	0.0001		
39	1950	0.0000	0.0007	0.0007	0.0073	
40	2000	0.0000	0.0001	0.0001		

Copyright of this report is owned by Centre of Testing Service and may not be reproduced other than in full except with the written approval of the issuing Company.

**CTS (Ningbo) Testing Service Technology Co., Ltd.**

Fl.1 & 8 West, Bldg. B, No. 66, Qingyi Rd., Hi-Tech Zone, Ningbo, Zhejiang, China

Tel: +86-20-85543113 (32 lines)

Fax: +86-20-38780406

Complaint line: +86-20-85533471

E-mail: cts@cts-lab.com.cn

See Reverse For Terms And Conditions of Service

## 5.5 Voltage fluctuations and flicker

For test instruments and accessories used see section 6 part 6.5.

### 5.5.1 Description of the test location

Test location : Test location no. 1

### 5.5.2 Limits of voltage fluctuation and flicker

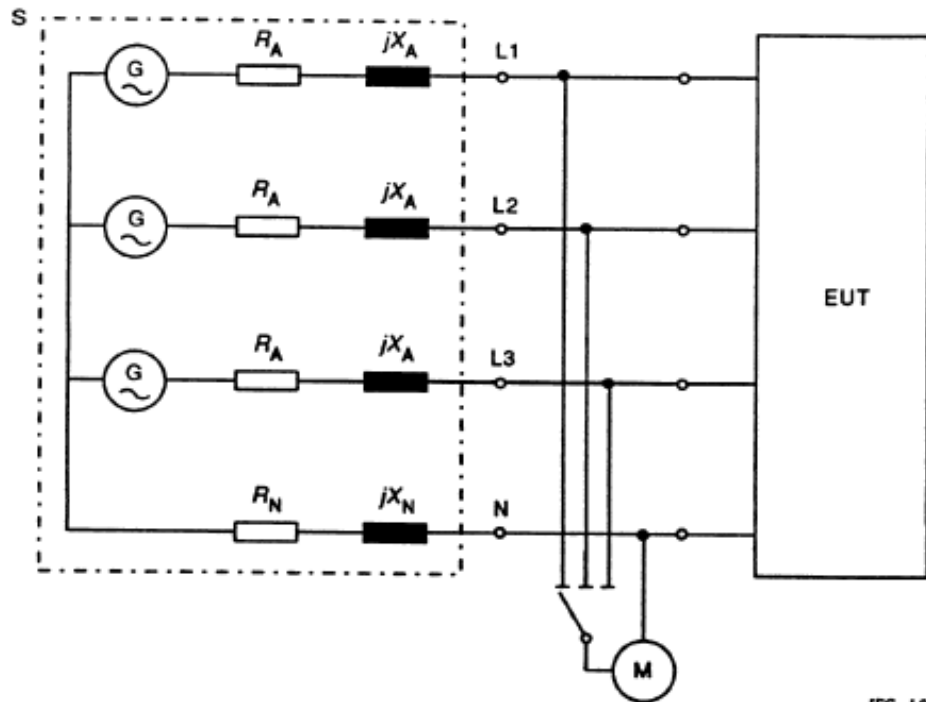
Test configuration and procedure see clause 5 of standard EN 61000-3-3:2013.

### 5.5.3 Description of the test set-up

#### 5.5.3.1 Operating Condition

The EUT is normal during the test, and the results of the maximum emanation are recorded

#### 5.5.3.2 Block Diagram of Test Setup



IEC 1035/94

Copyright of this report is owned by Centre of Testing Service and may not be reproduced other than in full except with the written approval of the issuing Company.

**CTS (Ningbo) Testing Service Technology Co., Ltd.**  
 Fl.1 & 8 West, Bldg. B, No. 66, Qingyi Rd., Hi-Tech Zone, Ningbo, Zhejiang, China  
 Tel: +86-20-85543113 (32 lines) Fax: +86-20-38780406  
 Complaint line: +86-20-85533471 E-mail: cts@cts-lab.com.cn

See Reverse For Terms And Conditions of Service

### 5.5.4 Test result

The requirements are **Fulfilled**

**Remarks:** The limits are kept. For detailed results, please see the following page(s).

### 5.5.5 Test protocol

Operation mode	Normal	Result:	<input checked="" type="checkbox"/> - passed
Remarks:			<input type="checkbox"/> - not passed

Standard used:	EN 61000-3-3 Flicker
Short time (Pst):	10 min
Observation time:	10 min (1 Flicker measurement)
Mains supply voltage:	AC 230V/50Hz
Ambient Temperature:	24°C
Humidity:	56%
Barometric Pressure:	86~106kPa
E. U. T.:	LED DRIVER
M/N:	YJ-FC70W1150
Date of test:	06 December 2017
Tester:	<b>Clark</b>

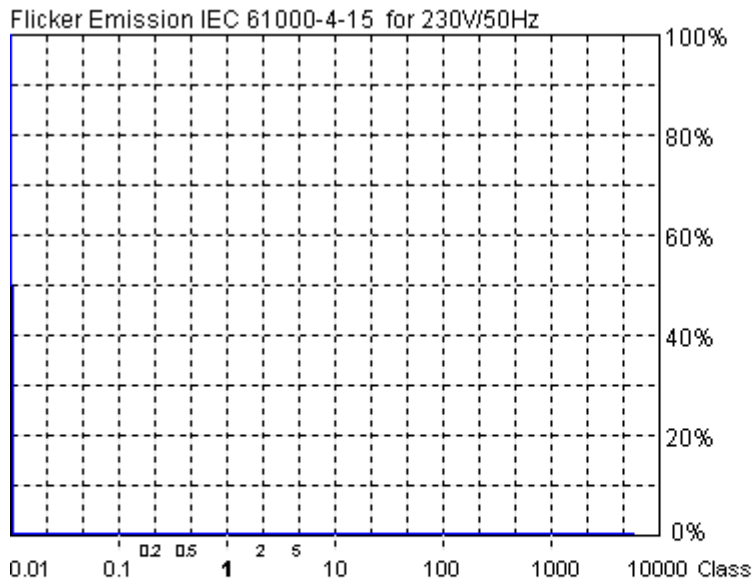
### Maximum Flicker results

	EUT values	Limit	Result
Pst	0.07	1.00	PASS
dc [%]	0.00	3.30	PASS
dmax [%]	0.00	4.00	PASS
dt [s]	0.00	0.50	PASS

Copyright of this report is owned by Centre of Testing Service and may not be reproduced other than in full except with the written approval of the issuing Company.

**CTS (Ningbo) Testing Service Technology Co., Ltd.**  
 Fl.1 & 8 West, Bldg. B, No. 66, Qingyi Rd., Hi-Tech Zone, Ningbo, Zhejiang, China  
 Tel: +86-20-85543113 (32 lines) Fax: +86-20-38780406  
 Complaint line: +86-20-85533471 E-mail: cts@cts-lab.com.cn

See Reverse For Terms And Conditions of Service



<b>Actual Flicker (Fli):</b>	<b>0.00</b>
<b>Short-term Flicker (Pst):</b>	<b>0.07</b>
Limit (Pst):	1.00
<b>Long-term Flicker (Plt):</b>	<b>0.07</b>
Limit (Plt):	0.65
<b>Maximum Relative Volt. Change (dmax):</b>	<b>0.00%</b>
Limit (dmax):	4.00%
<b>Relative Steady-state Voltage Change (dc):</b>	<b>0.00%</b>
Limit (dc):	3.00%
<b>Tmax 3.00% (dt):</b>	<b>0.00ms</b>
Limit (dt>Lim):	200ms

**Flicker Emission - IEC 61000-3-3 , EN 61000-3-3**

Urms = 231.7 V P = 53.26 W  
 Irms = 0.246 A pf = 0.933

2017-12-6 15:21:52

Range: 0.5 A  
 V-nom: 231 V  
 TestTime: 10 min (100%)

**Test completed, Result: PASSED**

HAR-1000 EMC-Parber

## 5.6 Electrostatic discharge

For test instruments and accessories used see section 6 part 6.6.

### 5.6.1 Description of the test location

Test location :	Test location no. 2
Power supply:	AC 230V/50Hz
Operate mode:	Normal
Test condition:	Ambient Temperature: 24°C, Humidity:56%
Date of test :	19 December 2016~ 26 December 2017
Operator :	<b>Clark</b>

### 5.6.2 Severity of levels electrostatic discharge

5.6.2.1 Severity level: Contact discharge at  $\pm 4\text{KV}$  air discharge at  $\pm 8\text{KV}$

Level	Test Voltage Contact Discharge (kV)	Test Voltage Air Discharge (kV)
1	2	2
2	4	4
3	6	8
4	8	15
X	Special	Special

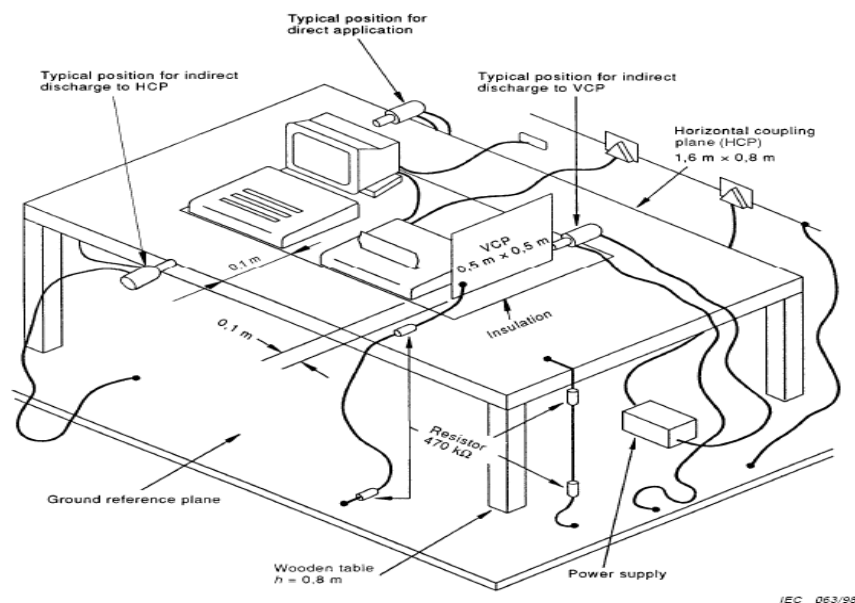
5.6.2.2 Performance criterion: B

### 5.6.3 Description of the test set-up

#### 5.6.3.1 Operating Condition

The EUT is normal during the test, and the results of the maximum emanation are recorded

#### 5.6.3.2 Block Diagram of Test Setup



Copyright of this report is owned by Centre of Testing Service and may not be reproduced other than in full except with the written approval of the issuing Company.

**CTS (Ningbo) Testing Service Technology Co., Ltd.**  
 Fl.1 & 8 West, Bldg. B, No. 66, Qingyi Rd., Hi-Tech Zone, Ningbo, Zhejiang, China  
 Tel: +86-20-85543113 (32 lines) Fax: +86-20-38780406  
 Complaint line: +86-20-85533471 E-mail: cts@cts-lab.com.cn

See Reverse For Terms And Conditions of Service

## 5.6.4 Test specification:

Contact discharge voltage:	<input checked="" type="checkbox"/> 2 kV	<input checked="" type="checkbox"/> 4 kV	
Air discharge voltage:	<input checked="" type="checkbox"/> 2 kV	<input checked="" type="checkbox"/> 4 kV	<input checked="" type="checkbox"/> 8 kV
Discharge impedance:	<input checked="" type="checkbox"/> 330 $\Omega$ / 150 pF		
Discharge factor:	<input checked="" type="checkbox"/> $\geq 1$ sec.		
Number of discharges:	<input checked="" type="checkbox"/> $\geq 10$		
Type of discharge:	Direct discharge	<input checked="" type="checkbox"/> Air discharge	
		<input checked="" type="checkbox"/> Contact discharge	
	Indirect discharge	<input checked="" type="checkbox"/> Contact discharge	
Polarity:	<input checked="" type="checkbox"/> Positive	<input checked="" type="checkbox"/> Negative	
Discharge location:	<input checked="" type="checkbox"/> see photo documentation of the test set-up		
	<input checked="" type="checkbox"/> all external locations accessible by hand		
	<input checked="" type="checkbox"/> horizontal plate (HCP)		
	<input checked="" type="checkbox"/> vertical coupling plate (VCP)		

## 5.6.5 Test result

The requirements are **Fulfilled**Performance Criterion: **B****Remarks:** During the test no deviation was detected to the selected operation mode(s).



## 5.7 Radiated, radio-frequency, electromagnetic field

For test instruments and accessories used see section 6 part 6.7.

### 5.7.1 Description of the test location

Test location :	GTEM chamber
Power supply:	AC 230V/50Hz
Operate mode:	Normal
Test condition:	Ambient Temperature: 24°C, Humidity:56%
Date of test :	19 December 2016~ 26 December 2017
Operator :	Clark

### 5.7.2 Severity levels of radiated, Radio-frequency, electromagnetic field

#### 5.7.2.1 Severity level: 3V/m

Level	Field strenght(V/m)
1	1
2	3
3	10
X	Special

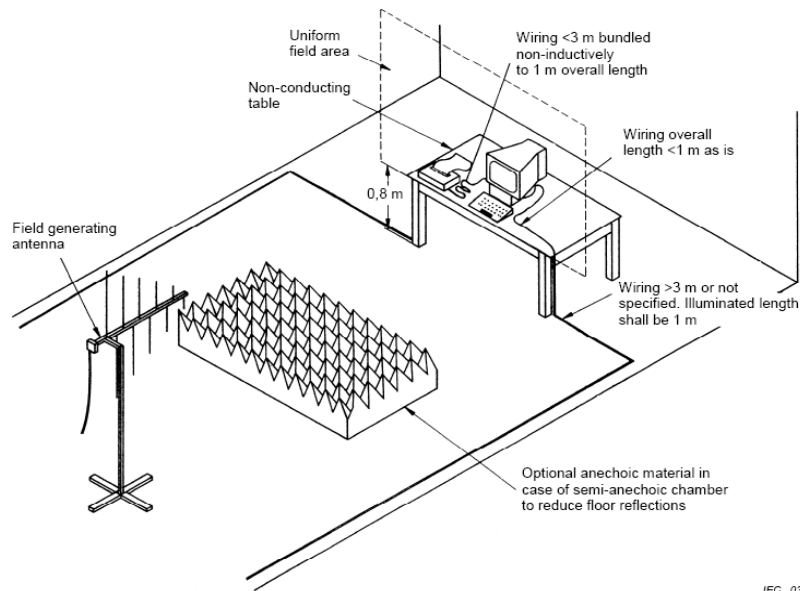
#### 5.7.2.2 Performance criterion: A

### 5.7.3 Description of the test set-up

#### 5.7.3.1 Operating Condition

The EUT is normal during the test, and the results of the maximum emanation are recorded

#### 5.7.3.2 Block Diagram of Test Setup



Copyright of this report is owned by Centre of Testing Service and may not be reproduced other than in full except with the written approval of the issuing Company.

**CTS (Ningbo) Testing Service Technology Co., Ltd.**  
 Fl.1 & 8 West, Bldg. B, No. 66, Qingyi Rd., Hi-Tech Zone, Ningbo, Zhejiang, China  
 Tel: +86-20-85543113 (32 lines) Fax: +86-20-38780406  
 Complaint line: +86-20-85533471 E-mail: cts@cts-lab.com.cn

See Reverse For Terms And Conditions of Service

#### 5.7.4 Test specification:

Frequency range:	■ 80 MHz to 1000 MHz
Field strength:	■ 3 V/m
EUT - antenna separation:	■ 3 m
Modulation:	■ AM: 80 % ■ sinusoidal 1000Hz
Frequency step:	■ 1 % with 3 s dwell time
Antenna polarisation:	■ horizontal      ■ vertical

#### 5.7.5 Test result

The requirements are **Fulfilled**

Performance Criterion: **A**

**Remarks:** During the test no deviation was detected to the selected operation mode(s).

### 5.8 Electrical fast transients / Burst

For test instruments and accessories used see section 6 part 6.8.

#### 5.8.1 Description of the test location

Test location :	Test location no. 2
Power supply:	AC 230V/50Hz
Test condition:	Ambient Temperature: 24°C, Humidity:56%
Date of test :	19 December 2016~ 26 December 2017
Operator :	Clark

#### 5.8.2 Severity levels of electrical fast transients / Burst

5.8.2.1 Severity level:  $\pm 1000V$  for AC power supply lines

Open circuit output test voltage and repetition rate of the impulses				
Level	On power port, PE		On I/O signal, data and control ports	
	V peak (KV)	Repetition rate (KHz)	Voltage peak	Repetition rate (KHz)
1	0.5	5 or 100	0.25	5 or 100
2	1	5 or 100	0.5	5 or 100
3	2	5 or 100	1	5 or 100
4	4	5 or 100	2	5 or 100
X	Special	Special	Special	Special

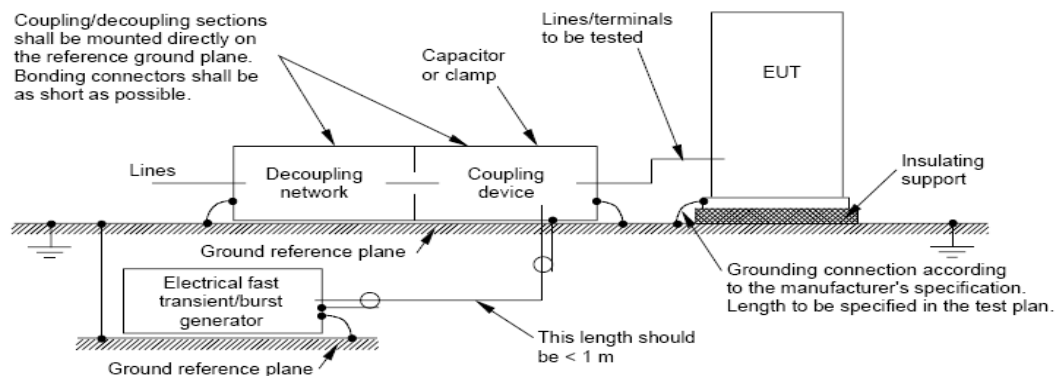
5.8.2.2 Performance criterion: B

#### 5.8.3 Description of the test set-up

##### 5.8.3.1 Operating Condition

The EUT is normal during the test, and the results of the maximum emanation are recorded

##### 5.8.3.2 Block Diagram of Test Setup



Copyright of this report is owned by Centre of Testing Service and may not be reproduced other than in full except with the written approval of the issuing Company.

**CTS (Ningbo) Testing Service Technology Co., Ltd.**  
 Fl.1 & 8 West, Bldg. B, No. 66, Qingyi Rd., Hi-Tech Zone, Ningbo, Zhejiang, China  
 Tel: +86-20-85543113 (32 lines) Fax: +86-20-38780406  
 Complaint line: +86-20-85533471 E-mail: cts@cts-lab.com.cn

See Reverse For Terms And Conditions of Service



### 5.9 Surge

For test instruments and accessories used see section 6 part 6.9.

#### 5.9.1 Description of the test location

Test location :	Test location no. 2
Power supply:	AC 230V/50Hz
Test condition:	Ambient Temperature: 24°C, Humidity:56%
Date of test :	19 December 2016~ 26 December 2017
Operator :	<b>Clark</b>

#### 5.9.2 Severity levels of surge

5.9.2.1 Severity level: Line to line: ±1KV, Line to earth: ±2KV

Level	Test Voltage (KV)
1	0.5
2	1.0
3	2.0
4	4.0
X	Special

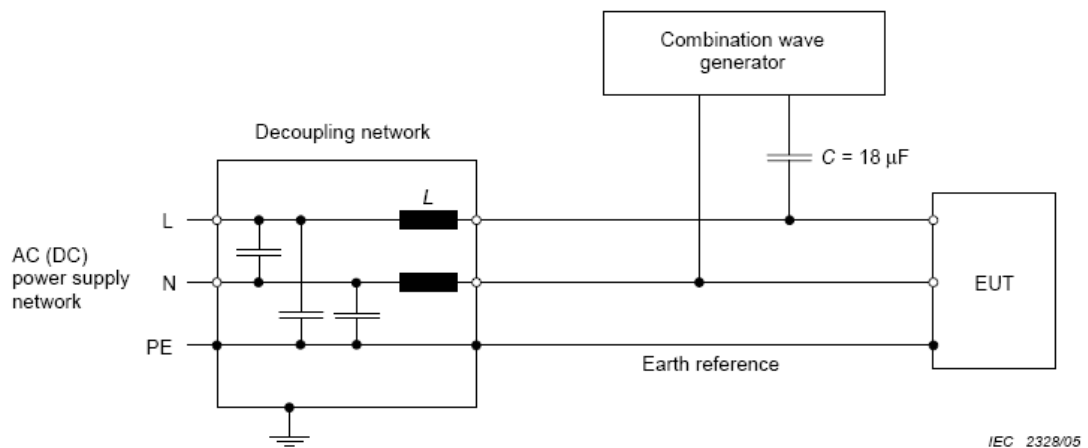
5.9.2.2 Performance Criterion: B

#### 5.9.3 Description of the test set-up

5.9.3.1 Operating Condition

The EUT is normal during the test, and the results of the maximum emanation are recorded

5.9.3.2 Block Diagram of Test Setup



Copyright of this report is owned by Centre of Testing Service and may not be reproduced other than in full except with the written approval of the issuing Company.

**CTS (Ningbo) Testing Service Technology Co., Ltd.**  
 Fl.1 & 8 West, Bldg. B, No. 66, Qingyi Rd., Hi-Tech Zone, Ningbo, Zhejiang, China  
 Tel: +86-20-85543113 (32 lines) Fax: +86-20-38780406  
 Complaint line: +86-20-85533471 E-mail: cts@cts-lab.com.cn

See Reverse For Terms And Conditions of Service

**5.9.4 Test specification:**

Pulse amplitude-Power line sym.: Source impedance: 2 $\Omega$ + 18 $\mu$ F	<input checked="" type="checkbox"/> 0.5 kV <input checked="" type="checkbox"/> 1 kV <input type="checkbox"/> 2 kV <input type="checkbox"/> 4 kV
Pulse amplitude-Power line unsym.: Source impedance: 12 $\Omega$ + 9 $\mu$ F	<input type="checkbox"/> 0.5 kV <input type="checkbox"/> 1 kV <input type="checkbox"/> 2 kV <input type="checkbox"/> 4 kV
Number of surges:	<input checked="" type="checkbox"/> 5 Surges/Phase angle
Phase angle:	<input checked="" type="checkbox"/> 0 ° <input checked="" type="checkbox"/> 90 ° <input checked="" type="checkbox"/> 180 ° <input checked="" type="checkbox"/> 270 °
Repetition rate:	<input checked="" type="checkbox"/> 60 s
Polarity:	<input checked="" type="checkbox"/> positive <input checked="" type="checkbox"/> negative

**5.9.5 Coupling points**

Cable description:	AC power line: L+N
Screening:	<input type="checkbox"/> screened <input checked="" type="checkbox"/> unscreened
Status:	<input type="checkbox"/> passive <input checked="" type="checkbox"/> active
Signal transmission:	<input checked="" type="checkbox"/> analogue <input type="checkbox"/> digital
Length:	<input checked="" type="checkbox"/> 1.5 m

**5.9.6 Test result**The requirements are **Fulfilled**Performance Criterion: **B****Remarks:** During the test no deviation was detected to the selected operation mode(s).

### 5.10 Conducted disturbances induced by radio-frequency fields

For test instruments and accessories used see section 6 part 6.10.

#### 5.10.1 Description of the test location

Test location :	Test location no. 2
Power supply:	AC 230V/50Hz
Test condition:	Ambient Temperature: 24°C, Humidity:56%
Date of test :	19 December 2016~ 26 December 2017
Operator :	Clark

#### 5.10.2 Severity levels of conducted disturbances induced by radio-frequency fields discharge

##### 5.10.2.1 Severity Level: 3V

Level	Field Strength (V)
1	1
2	3
3	10
X	Special

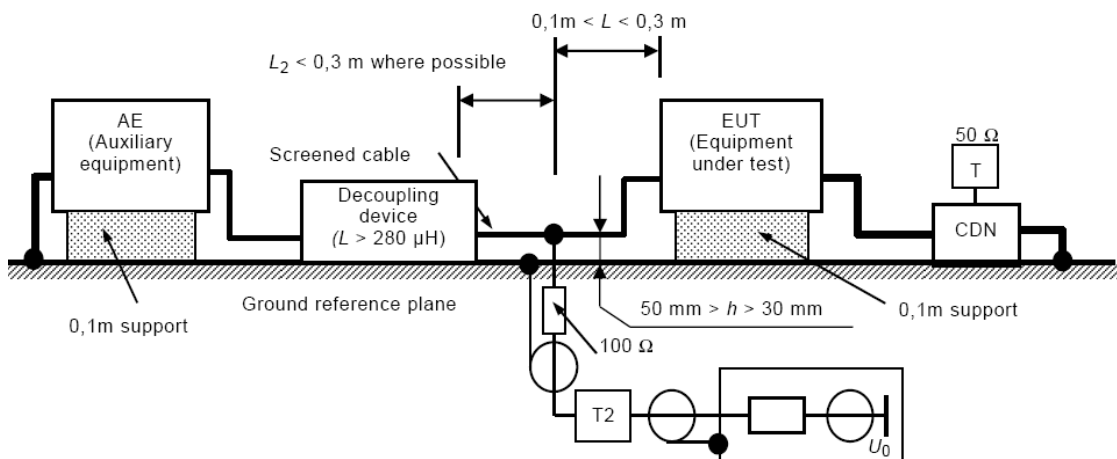
##### 5.10.2.2 Performance Criterion: A

#### 5.10.3 Description of the test set-up

##### 5.10.3.1 Operating Condition

The EUT is normal during the test, and the results of the maximum emanation are recorded

##### 5.10.3.2 Block Diagram of Test Setup



IEC 1586/03

Copyright of this report is owned by Centre of Testing Service and may not be reproduced other than in full except with the written approval of the issuing Company.

**CTS (Ningbo) Testing Service Technology Co., Ltd.**  
 Fl.1 & 8 West, Bldg. B, No. 66, Qingyi Rd., Hi-Tech Zone, Ningbo, Zhejiang, China  
 Tel: +86-20-85543113 (32 lines) Fax: +86-20-38780406  
 Complaint line: +86-20-85533471 E-mail: cts@cts-lab.com.cn

See Reverse For Terms And Conditions of Service

**5.10.4 Test specification:**

Frequency range:	■ 0.15 MHz to 80MHz
Test voltage:	■ 3 V
Modulation:	■ AM: 80 % ■ sinusoidal 1000Hz
Frequency step:	■ 1 % with 3 s dwell time

**5.10.5 Coupling points**

Cable description (Port1):	AC power line: L+N
Screening:	<input type="checkbox"/> screened <input checked="" type="checkbox"/> unscreened
Status:	<input type="checkbox"/> passive <input checked="" type="checkbox"/> active
Signal transmission:	<input checked="" type="checkbox"/> analogue <input type="checkbox"/> digital
Length:	■ 0.3 m

**5.10.6 Test result**The requirements are **Fulfilled**Performance Criterion: **A****Remarks:** During the test no deviation was detected to the selected operation mode(s).



## 5.11 Power frequency magnetic field

For test instruments and accessories used see section 6 part 6.11.

### 5.11.1 Description of the test location

Test location :	Test location no. 2
Power supply:	AC 230V/50Hz
Test condition:	Ambient Temperature: 24°C, Humidity:56%
Date of test :	19 December 2016~ 26 December 2017
Operator :	Clark

### 5.11.2 Severity levels of magnetic field immunity

#### 5.11.2.1 Severity Level: 3A/m

Level	Magnetic Field Strength (A/m)
1	1
2	3
3	10
4	30
5	100
X	Special

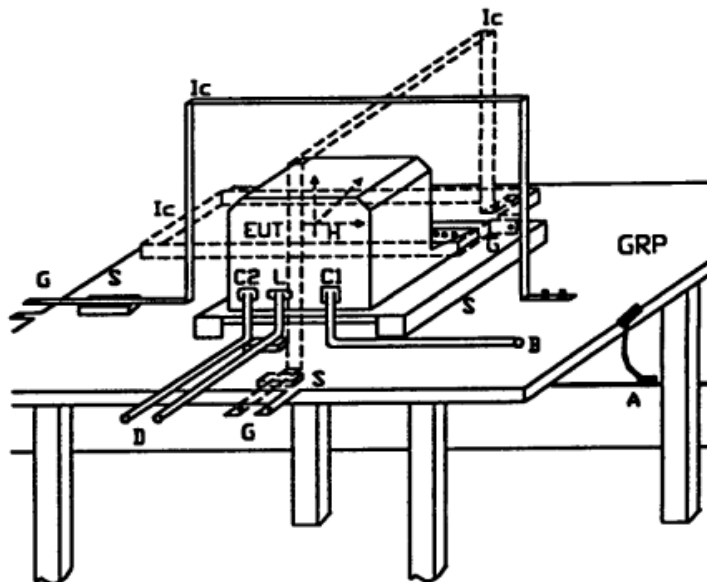
#### 5.11.2.2 Performance Criterion: A

### 5.11.3 Description of the test set-up

#### 5.11.3.1 Operating Condition

The EUT is normal during the test, and the results of the maximum emanation are recorded

#### 5.11.3.2 Block Diagram of Test Setup



Copyright of this report is owned by Centre of Testing Service and may not be reproduced other than in full except with the written approval of the issuing Company.

**CTS (Ningbo) Testing Service Technology Co., Ltd.**  
 Fl.1 & 8 West, Bldg. B, No. 66, Qingyi Rd., Hi-Tech Zone, Ningbo, Zhejiang, China  
 Tel: +86-20-85543113 (32 lines) Fax: +86-20-38780406  
 Complaint line: +86-20-85533471 E-mail: cts@cts-lab.com.cn

See Reverse For Terms And Conditions of Service

**5.11.4 Test specification:**

Test frequency:	■ 50 Hz		
Continuous field:	■ 3 A/m		
Duration (Continuous field):	■ 60 s each Axis		
Short duration (1-3s):	■ 3s		
Axis:	■ x-axis	■ y-axis	■ z-axis

**5.11.5 Test result**The requirements are **Fulfilled**Performance Criterion: **A****Remarks:** During the test no deviation was detected to the selected operation mode(s).

### 5.12 Voltage dips

For test instruments and accessories used see section 6 part 6.12.

#### 5.12.1 Description of the test location

Test location :	Test location no. 2
Power supply:	AC 230V/50Hz
Test condition:	Ambient Temperature: 24°C, Humidity:56%
Date of test :	19 December 2016~ 26 December 2017
Operator :	<b>Clark</b>

#### 5.12.2 Severity levels of voltage dips

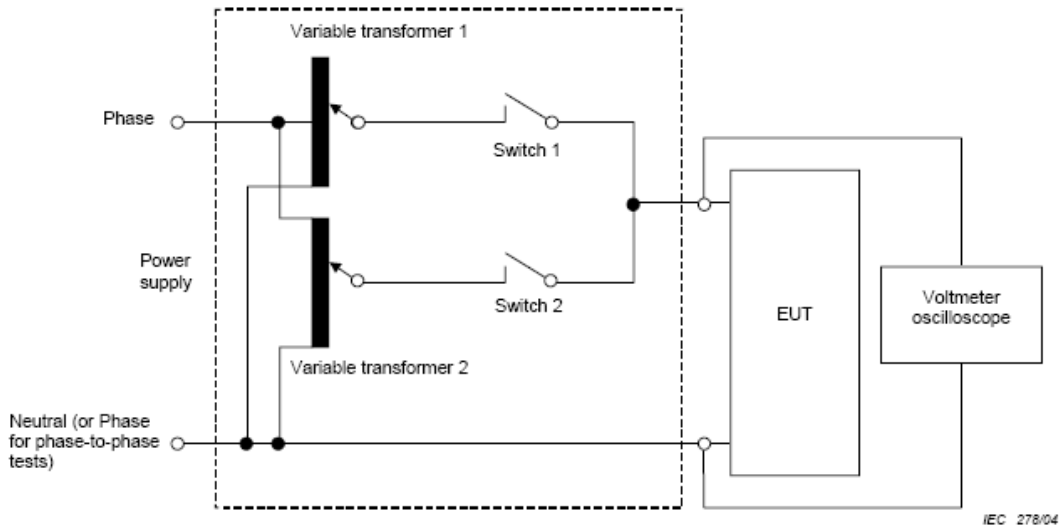
Test Level (%Ut)	Voltage Dips (%Ut)	Performance Criterion	Duration (in period)
70	30	C	10

#### 5.12.3 Description of the test set-up

##### 5.12.3.1 Operating Condition

The EUT is normal during the test, and the results of the maximum emanation are recorded

##### 5.12.3.2 Block Diagram of Test Setup



Copyright of this report is owned by Centre of Testing Service and may not be reproduced other than in full except with the written approval of the issuing Company.

**CTS (Ningbo) Testing Service Technology Co., Ltd.**  
 Fl.1 & 8 West, Bldg. B, No. 66, Qingyi Rd., Hi-Tech Zone, Ningbo, Zhejiang, China  
 Tel: +86-20-85543113 (32 lines) Fax: +86-20-38780406  
 Complaint line: +86-20-85533471 E-mail: cts@cts-lab.com.cn

See Reverse For Terms And Conditions of Service

**5.12.4 Test specification:**

Nominal Mains Voltage ( $V_N$ ):	■ AC 230 V
Number of voltage fluctuations:	■ 3
Level of reduction(dip) / duration:	■ 30 % / 200ms

**5.12.5 Test result**The requirements are **Fulfilled**Performance Criterion: **C****Remarks:** During the test no deviation was detected to the selected operation mode(s).

### 5.13 Voltage short interruptions

For test instruments and accessories used see section 6 part 6.13.

#### 5.13.1 Description of the test location

Test location :	Test location no. 2
Power supply:	AC 230V/50Hz
Test condition:	Ambient Temperature: 24°C, Humidity:56%
Date of test :	19 December 2016~ 26 December 2017
Operator :	<b>Clark</b>

#### 5.13.2 Severity levels of voltage short interruptions

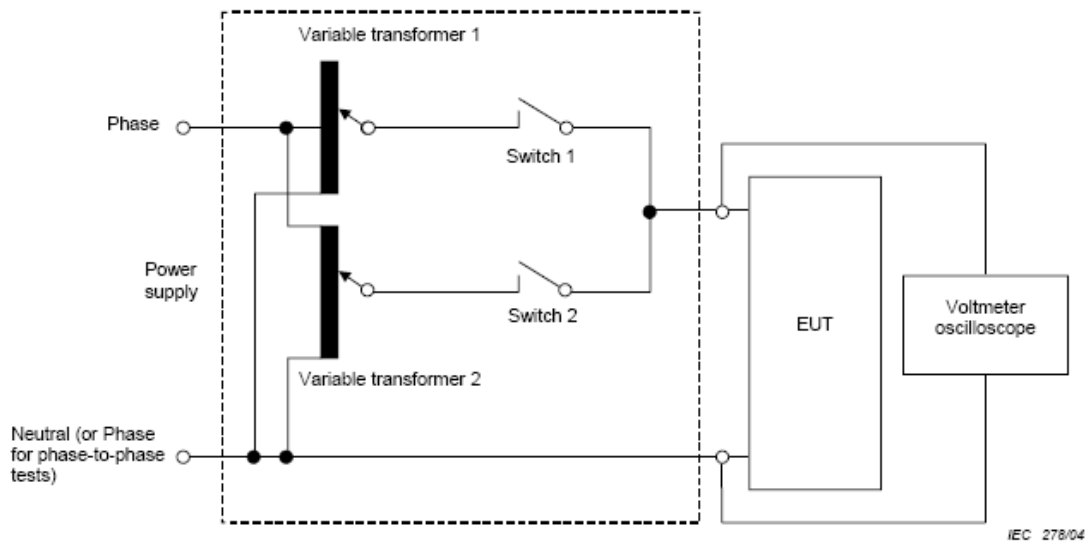
Test Level (%Ut)	Voltage Short Interruptions (%Ut)	Performance Criterion	Duration (in period)
0	100	B	0.5

#### 5.13.3 Description of the test set-up

##### 5.13.3.1 Operating Condition

The EUT is normal during the test, and the results of the maximum emanation are recorded

##### 5.13.3.2 Block Diagram of Test Setup



Copyright of this report is owned by Centre of Testing Service and may not be reproduced other than in full except with the written approval of the issuing Company.

**CTS (Ningbo) Testing Service Technology Co., Ltd.**  
 Fl.1 & 8 West, Bldg. B, No. 66, Qingyi Rd., Hi-Tech Zone, Ningbo, Zhejiang, China  
 Tel: +86-20-85543113 (32 lines) Fax: +86-20-38780406  
 Complaint line: +86-20-85533471 E-mail: cts@cts-lab.com.cn

See Reverse For Terms And Conditions of Service

**5.13.4 Test specification:**

Nominal Mains Voltage ( $V_N$ ):	■ AC 230 V
Number of Interruptions:	■ 3
Duration of the Interruption:	■ 10 ms

**5.13.5 Test result**The requirements are **Fulfilled**Performance Criterion: **B****Remarks:** During the test no deviation was detected to the selected operation mode(s).

## 6 USED TEST EQUIPMENT

### 6.1

Conducted Disturbance					
Item	Test Equipment	Manufacturer	Model No.	Serial No.	Last Cal.
1	EMI Test Receiver	ROHDE & SCHWARZ	ESCI	100868	2017/10/18
2	Artificial Mains	ROHDE & SCHWARZ	ESH3-Z5	832479/025	2017/10/18
3	Artificial Mains	ROHDE & SCHWARZ	ESH3-Z6	100140	2017/10/18
4	Pulse Limiter	ROHDE & SCHWARZ	ESHS-Z2	100301	2017/10/18
5	EMI Test Software	Farad	EZ-EMC	N/A	N/A

### 6.2

Radiated Disturbance (Magnetic field)					
Item	Test Equipment	Manufacturer	Model No.	Serial No.	Last Cal.
1	Triple-Loop Antenna	ROHDE & SCHWARZ	HM020	100015	2017/10/18
2	EMI Test Receiver	ROHDE & SCHWARZ	ESCI	100868	2017/10/18
3	EMI Test Software	Farad	EZ-EMC	N/A	N/A

### 6.3

Radiated Emission(Electric field)					
Item	Test Equipment	Manufacturer	Model No.	Serial No.	Last Cal.
1	Signal analyzer	ROHDE & SCHWARZ	FSIQ26	100311	2017/04/26
2	EMI Test Receiver	ROHDE & SCHWARZ	ESVS 10	842885/001	2017/10/18
3	Log per Antenna	ETS	3142C	00060447	2017/03/29
4	Pre-Amplifier	EMC	EMC330	980113	2017/04/26
5	Pre-Amplifier	EMC	EMC012645	980114	2017/04/26
6	EMI Test Software	Farad	EZ-EMC	N/A	N/A

### 6.4

Harmonic Current					
Item	Test Equipment	Manufacturer	Model No.	Serial No.	Last Cal.
1	Harmonic And Flicker Analyzer	EMC Partner	Harmonics1000-1P	103488	2017/10/18
2	Harmonics-1000	EMC Partner	N/A	N/A	N/A

### 6.5

Voltage fluctuation and Flicker					
Item	Test Equipment	Manufacturer	Model No.	Serial No.	Last Cal.
1	Harmonic And Flicker Analyzer	EMC Partner	Harmonics1000-1P	103488	2017/10/18
2	Harmonics-1000	EMC Partner	N/A	N/A	N/A

Copyright of this report is owned by Centre of Testing Service and may not be reproduced other than in full except with the written approval of the issuing Company.

**CTS (Ningbo) Testing Service Technology Co., Ltd.**  
 Fl.1 & 8 West, Bldg. B, No. 66, Qingyi Rd., Hi-Tech Zone, Ningbo, Zhejiang, China  
 Tel: +86-20-85543113 (32 lines) Fax: +86-20-38780406  
 Complaint line: +86-20-85533471 E-mail: cts@cts-lab.com.cn

See Reverse For Terms And Conditions of Service

## 6.6

Electrostatic Discharge					
Item	Test Equipment	Manufacturer	Model No.	Serial No.	Last Cal.
1	ESD Simulator	Schlöder	SESD 230	106003	2017/01/06

## 6.7

RF Field Strength Susceptibility					
Item	Test Equipment	Manufacturer	Model No.	Serial No.	Last Cal.
1	Signal Generator	ROHDE & SCHWARZ	SMY 01	843215/014	2017/10/18
2	Signal Generator	ROHDE & SCHWARZ	SML03	102986	2017/10/18
3	Amplifier	KALMUS	713FC	7385-1	2017/10/18
4	Power Meter	ROHDE & SCHWARZ	NRVS	842856/049	2017/10/18
5	Field Probe	ETS	HI-6005	00075047	2017/10/18
6	RS Test Software	Farad	EZ-RS	N/A	N/A

## 6.8

Electrical Fast Transient/Burst					
Item	Test Equipment	Manufacturer	Model No.	Serial No.	Last Cal.
1	EMC test system Transient-1000	EMC Partner	Transient-1000	HAR1000-78	2017/10/18
2	3-Phase Coupling Network	EMC Partner	CDN1000	CDN1000-08	2017/10/18
3	Coupling Clamp	EMC Partner	SFT 410	0302015	2017/10/18
4	Genecs Software	EMC Partner	N/A	N/A	N/A

## 6.9

Surge					
Item	Test Equipment	Manufacturer	Model No.	Serial No.	Last Cal.
1	EMC test system Transient-1000	EMC Partner	Transient-1000	HAR1000-78	2017/10/18
2	3-Phase Coupling Network	EMC Partner	CDN1000	CDN1000-08	2017/10/18
3	Coupling Clamp	EMC Partner	SFT 410	0302015	2017/10/18
4	Genecs Software	EMC Partner	N/A	N/A	N/A

## 6.10

Conducted Susceptibility					
Item	Test Equipment	Manufacturer	Model No.	Serial No.	Last Cal.
1	RF generator / amplifier	Schlöder	CDG 6000	HU906007	2017/10/18
2	CDN	Schlöder	CDN M3	A3003008	2017/10/18
3	CDN	Schlöde	CDN T2	A3010005	2017/10/18
4	Attenuator	Abschwächer	DC-500MHz	N/A	2017/10/18
5	EM injection clamp	Liithi	EM101	35670	2017/10/18
6	CDG-6000 Software	Schlöder	N/A	N/A	N/A

Copyright of this report is owned by Centre of Testing Service and may not be reproduced other than in full except with the written approval of the issuing Company.



## 6.11

Power Frequency Magnetic Field Susceptibility					
Item	Test Equipment	Manufacturer	Model No.	Serial No.	Last Cal.
1	Power frequency mag-field generator System	EM TEST	EMS61000-8K	409001	2017/10/18

## 6.12

Voltage Dips					
Item	Test Equipment	Manufacturer	Model No.	Serial No.	Last Cal.
1	EMC test system Transient-1000	EMC Partner	Transient-1000	HAR1000-78	2017/10/18
2	3-Phase Coupling Network	EMC Partner	CDN1000	CDN1000-08	2017/10/18
3	GenecsSoftware	EMC Partner	N/A	N/A	N/A

## 6.13

Voltage Short Interruptions					
Item	Test Equipment	Manufacturer	Model No.	Serial No.	Last Cal.
1	EMC test system Transient-1000	EMC Partner	Transient-1000	HAR1000-78	2017/10/18
2	3-Phase Coupling Network	EMC Partner	CDN1000	CDN1000-08	2017/10/18
3	GenecsSoftware	EMC Partner	N/A	N/A	N/A

Copyright of this report is owned by Centre of Testing Service and may not be reproduced other than in full except with the written approval of the issuing Company.

**CTS (Ningbo) Testing Service Technology Co., Ltd.**  
 Fl.1 & 8 West, Bldg. B, No. 66, Qingyi Rd., Hi-Tech Zone, Ningbo, Zhejiang, China  
 Tel: +86-20-85543113 (32 lines) Fax: +86-20-38780406  
 Complaint line: +86-20-85533471 E-mail: cts@cts-lab.com.cn

See Reverse For Terms And Conditions of Service

## 7 TEST PHOTOGRAPHS

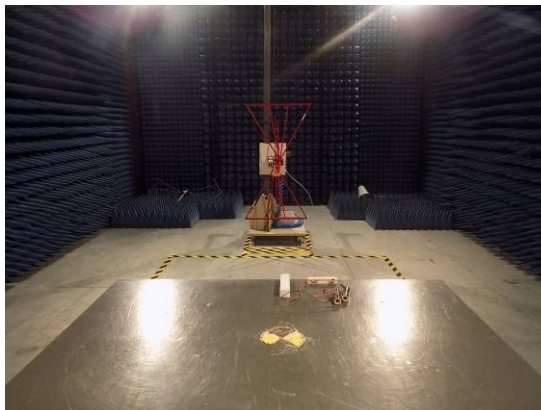
7.1. Photo of power line conducted emission measurement (C.E.)



7.2. Photo of radiated emission measurement (R.E. Magnetic field)



7.3. Photo of radiated emission measurement (R.E. Electric field)



Copyright of this report is owned by Centre of Testing Service and may not be reproduced other than in full except with the written approval of the issuing Company.

**CTS (Ningbo) Testing Service Technology Co., Ltd.**  
Fl.1 & 8 West, Bldg. B, No. 66, Qingyi Rd., Hi-Tech Zone, Ningbo, Zhejiang, China  
Tel: +86-20-85543113 (32 lines) Fax: +86-20-38780406  
Complaint line: +86-20-85533471 E-mail: cts@cts-lab.com.cn

See Reverse For Terms And Conditions of Service

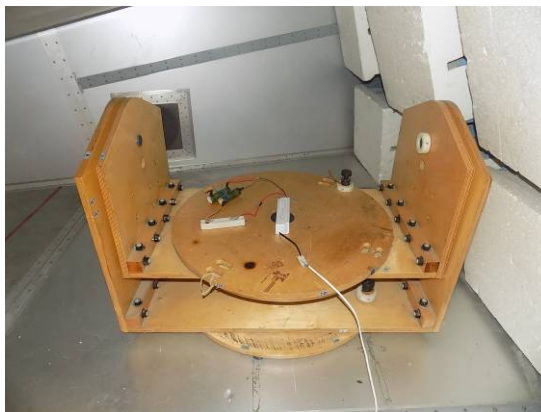
**7.4. Photo of harmonic current and flicker emission measurement (H.&F.)**



**7.5. Photo of electrostatic discharge Immunity measurement (E.S.D.)**



**7.6. Photo of RF field strength Immunity measurement (R.S.)**



Copyright of this report is owned by Centre of Testing Service and may not be reproduced other than in full except with the written approval of the issuing Company.

**CTS (Ningbo) Testing Service Technology Co., Ltd.**  
Fl.1 & 8 West, Bldg. B, No. 66, Qingyi Rd., Hi-Tech Zone, Ningbo, Zhejiang, China  
Tel: +86-20-85543113 (32 lines) Fax: +86-20-38780406  
Complaint line: +86-20-85533471 E-mail: cts@cts-lab.com.cn

See Reverse For Terms And Conditions of Service

**7.7. Photo of EFT/surge/Dips immunity measurement (E.F.T./Surge./Dips.)**



**7.8. Photo of conducted disturbance Immunity measurement (C.S.)**



**7.9. Photo of PFM field immunity measurement (P.F.M.F.)**



Copyright of this report is owned by Centre of Testing Service and may not be reproduced other than in full except with the written approval of the issuing Company.

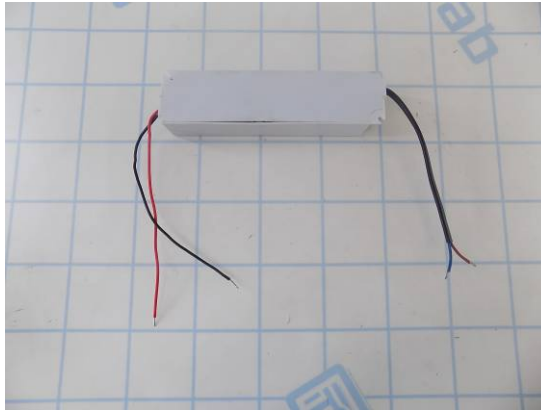
**CTS (Ningbo) Testing Service Technology Co., Ltd.**  
Fl.1 & 8 West, Bldg. B, No. 66, Qingyi Rd., Hi-Tech Zone, Ningbo, Zhejiang, China  
Tel: +86-20-85543113 (32 lines) Fax: +86-20-38780406  
Complaint line: +86-20-85533471 E-mail: cts@cts-lab.com.cn

See Reverse For Terms And Conditions of Service

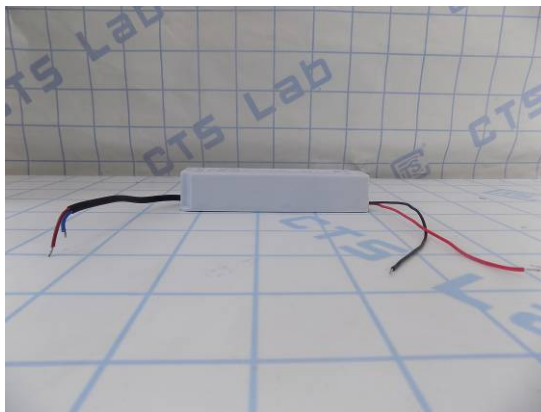
## 8 EXTERNAL AND INTERNAL PHOTOS OF THE EUT



External view 1



External view 2

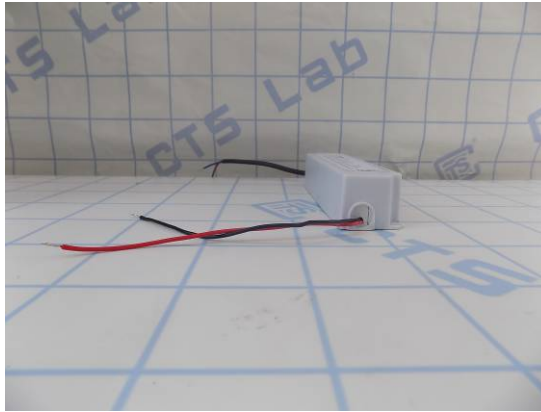


External view 3

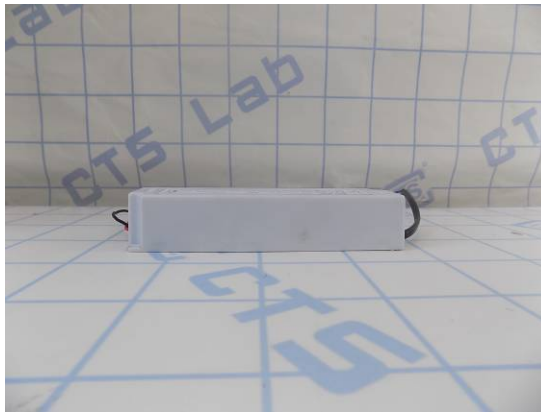
Copyright of this report is owned by Centre of Testing Service and may not be reproduced other than in full except with the written approval of the issuing Company.

**CTS (Ningbo) Testing Service Technology Co., Ltd.**  
Fl.1 & 8 West, Bldg. B, No. 66, Qingyi Rd., Hi-Tech Zone, Ningbo, Zhejiang, China  
Tel: +86-20-85543113 (32 lines) Fax: +86-20-38780406  
Complaint line: +86-20-85533471 E-mail: cts@cts-lab.com.cn

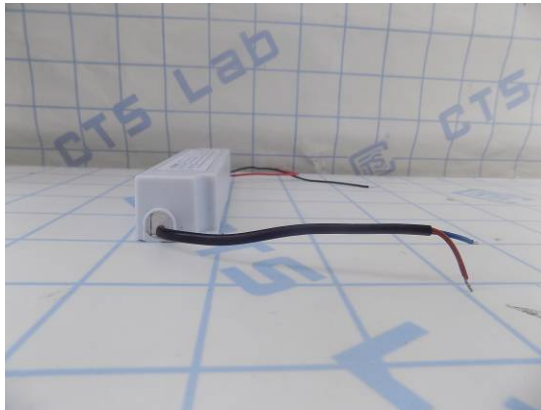
See Reverse For Terms And Conditions of Service



External view 4



External view 5



External view 6

Copyright of this report is owned by Centre of Testing Service and may not be reproduced other than in full except with the written approval of the issuing Company.

**CTS (Ningbo) Testing Service Technology Co., Ltd.**  
Fl.1 & 8 West, Bldg. B, No. 66, Qingyi Rd., Hi-Tech Zone, Ningbo, Zhejiang, China  
Tel: +86-20-85543113 (32 lines) Fax: +86-20-38780406  
Complaint line: +86-20-85533471 E-mail: cts@cts-lab.com.cn

See Reverse For Terms And Conditions of Service



**Label**

Copyright of this report is owned by Centre of Testing Service and may not be reproduced other than in full except with the written approval of the issuing Company.

**CTS (Ningbo) Testing Service Technology Co., Ltd.**  
Fl.1 & 8 West, Bldg. B, No. 66, Qingyi Rd., Hi-Tech Zone, Ningbo, Zhejiang, China  
Tel: +86-20-85543113 (32 lines) Fax: +86-20-38780406  
Complaint line: +86-20-85533471 E-mail: cts@cts-lab.com.cn

See Reverse For Terms And Conditions of Service

## 9 Manufacturer/ Approval holder Declaration

The following identical model(s):

**YJ-FC50W1500, YJ-FC30W900**

Belong to the tested device:

Product description: **LED DRIVER**

Model name: **YJ-FC70W1150**

Copyright of this report is owned by Centre of Testing Service and may not be reproduced other than in full except with the written approval of the issuing Company.

**CTS (Ningbo) Testing Service Technology Co., Ltd.**

Fl.1 & 8 West, Bldg. B, No. 66, Qingyi Rd., Hi-Tech Zone, Ningbo, Zhejiang, China

Tel: +86-20-85543113 (32 lines)

Fax: +86-20-38780406

Complaint line: +86-20-85533471

E-mail: [cts@cts-lab.com.cn](mailto:cts@cts-lab.com.cn)

See Reverse For Terms And Conditions of Service